

Description

This bracket assembly is used when mounting a Panasonic projector to ceilings.

Specifications

Dimensions (W × H × D):	380 × 56 × 362 mm (14-31/32 × 2-7/32 × 14-1/4 inches)
Weight:	Approx. 2.5 kg* (5.5 lbs*)
Applicable ceiling mount bracket:	ET-PKD120H/PKD120S/PKD310H/PKD310S/PKD100H/ PKD100S/PKD77H/PKD75S/PKD56H/PKD55S
Applicable projector:	PT-DZ870K/DZ870LK/DZ870W/DZ870LW/DW830K/DW830LK/ DW830W/DW830LW/DX100K/DX100LK/DX100W/DX100LW

* Average value. May differ depending on models.

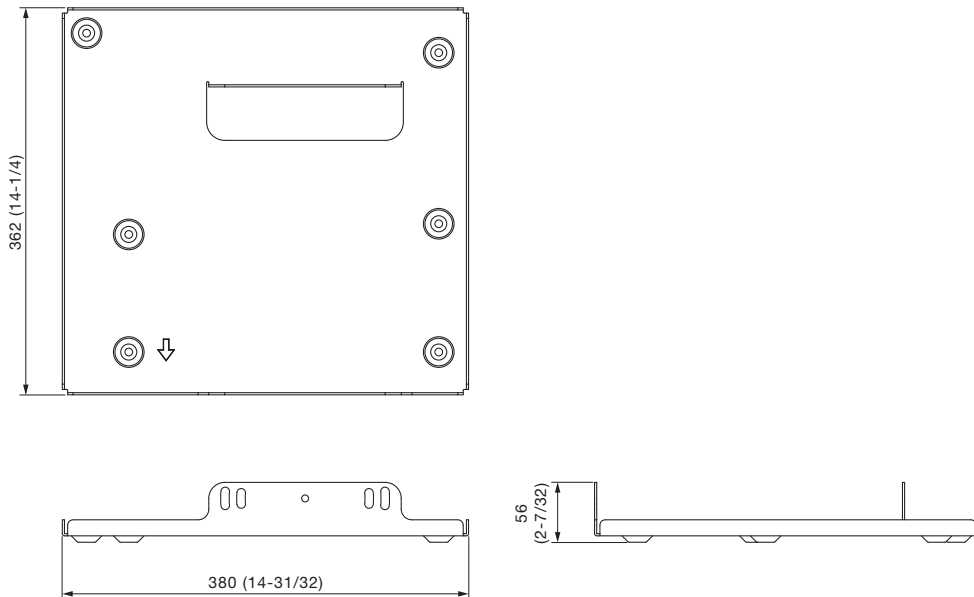
Parts

Projector mount bracket (bracket assembly)	1
Washer-fitted screws (M6 × 16)	6
Wire rope	1

Caution:

- Mounting should be done by a qualified technician.
- Make sure that the mounting (ceiling) area has sufficient strength.
- Read the enclosed mounting instructions thoroughly before starting.
- Do not use an electric screwdriver or impact driver to tighten screws. Use a torque driver or hexagon torque wrench and tighten screws to the torque specified in the instructions.
- When the product is no longer going to be used, have it disposed of quickly by a professional disposal service.

Dimensions



unit : mm (inch)
NOTE: This illustration is not drawn to scale.

Weights and dimensions shown are approximate. Specifications subject to change without notice.