

Bracket assembly

**Description**

This bracket assembly is used when mounting a Panasonic projector to ceilings.

**NOTE:** This ceiling mount bracket cannot be used by itself. Combine it with the optional ceiling mount bracket.

**Specifications**

Dimensions (W × H × D):	378 × 56 × 400 mm (14-7/8 × 2-7/32 × 15-3/4 inches)
Weight:	Approx. 3.0 kg* (6.61 lbs*)
Applicable ceiling mount bracket	ET-PKD130H/PKD120H/PKD120S/PKD310H/PKD310S/PKD56H/PKD55S TY-PKD55S
Applicable projector:	PT-DZ870K/DZ870W/DZ870LK/DZ870LW/ DW830K/DW830W/DW830LK/DW830LW/DX100K/DX100W/DX100LK/DX100LW DZ770S/DZ770K/DZ770LS/DZ770LK/ DW740S/DW740K/DW740LS/DW740LK/DX810S/DX810K/DX810LS/DX810LK/ DZ680S/DZ680K/DZ680LS/DZ680LK/ DW640S/DW640K/DW640LS/DW640LK/DX610S/DX610K/DX610LS/DX610LK/ DZ6710/DZ6710L/ DW730S/DW730K/DW730LS/DW730LK/DX800S/DX800K/DX800LS/DX800LK/ DZ6700/DZ6700L/DW6300S/DW6300K/DW6300LS/DW6300LK/ D6000S/D6000K/D6000LS/D6000LK/D5000S/D5000LS

\* Average value. May differ depending on models.

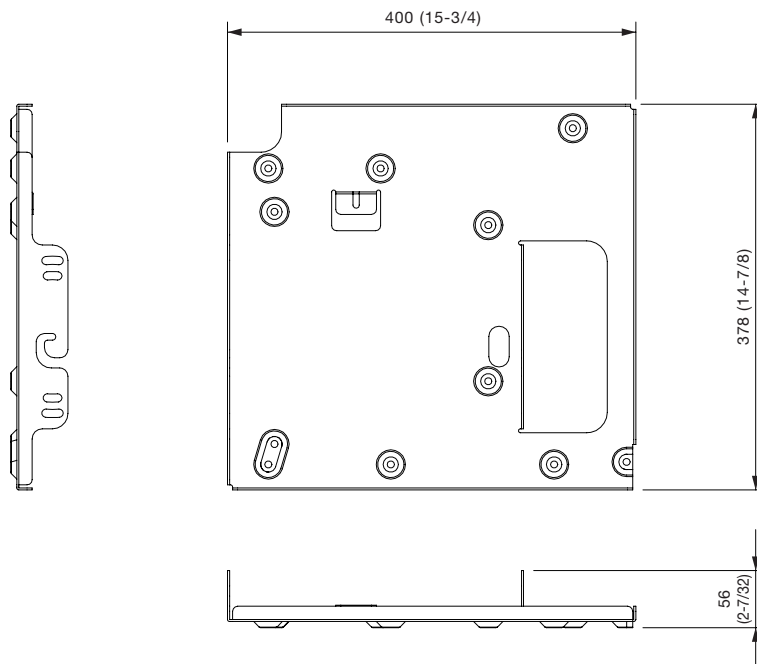
**Parts**

Projector mount bracket (bracket assembly) . . . . .	1
Washer-fitted screws (M6 × 16) . . . . .	6
Wire rope . . . . .	1

**Caution:**

- Mounting should be done by a qualified technician.
- Make sure that the mounting (ceiling) area has sufficient strength.
- Read the enclosed mounting instructions thoroughly before starting.
- Do not use an electric screwdriver or impact driver to tighten screws. Use a torque driver or hexagon torque wrench and tighten screws to the torque specified in the instructions.
- When the product is no longer going to be used, have it disposed of quickly by a professional disposal service.

**Dimensions**



unit : mm (inch)  
**NOTE:** This illustration is not drawn to scale.

Weights and dimensions shown are approximate. Specifications subject to change without notice.