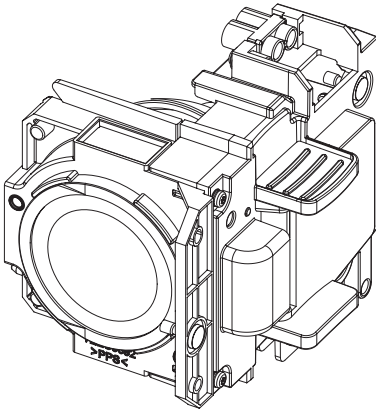


Panasonic®

Operating Instructions

Replacement Lamp Unit

Model No. ET-LAD70 (1 pc)
ET-LAD70W (2 pcs)



ENGLISH

FRANÇAIS

Thank you for purchasing this Panasonic product.

- Please read these operating instructions and the projector operating instructions carefully, and then use this product correctly.
- **Before using this product, be sure to read "Read this first!" (➡Page 3).**
- Please save this manual for future use.

This lamp is used in projectors.

It is not intended to be used for indoor lighting of ordinary homes.

2009 / 125 / EC

Contents

Read this first!	3
Accessories	3
Replacing the lamp unit and air filter	4
Before replacing the lamp unit and air filter	4
Switching off the projector	5
Replacing the lamp unit.....	5
Replacing the air filter.....	6
Attaching/removing the clasp from the lamp unit	7

Read this first!

Always follow these precautions

WARNING:

Before replacing the lamp unit and air filter, be sure to turn the power off and to disconnect the power plug from the power outlet.

- Electric shocks or lamp breakage can result if this is not done.

Do not disassemble the lamp unit.

- If the lamp breaks, it could cause injury.

Keep the supplied clasp out of reach of children.

Accidentally swallowing them can cause physical harm.

- If swallowed, seek medical advice immediately.

When replacing the lamp unit, turn the power off and allow the lamp to cool for at least one hour before handling it.

- The cover reaches a very high temperature, so failure to observe this will cause burns.

CAUTION:

Do not touch the fan with your fingers or any other parts of your body when removing the lamp unit or the air filter.

- Doing so can cause injury.

Avoid touching the edges of the supplied clasp.

Doing so may result in injuries due to the thinness of the clasp and the sharpness of its cut edges.

- Be especially careful while handling the clasp when attaching or removing it.

WARNING: TURN THE POWER OFF AND DISCONNECT THE POWER PLUG FROM THE WALL OUTLET BEFORE REPLACING THE LAMP UNIT.



NOTICE (USA only)

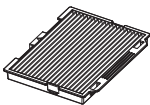
Hg-LAMP CONTAINS MERCURY, Manage in Accord with Disposal Laws.

See: www.lamprecycle.org or 1-888-411-1996.

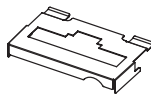
Accessories

Check that the following accessories are included. The numbers enclosed in the < > indicate quantity.

Air filter <1>
(TMZX5229)



Clasp <1>*
(TENC6193)



* Two supplied with the ET-LAD70W (2 pcs).

Attention

- After unpacking the lamp unit, discard the packaging material properly.

Replacing the lamp unit and air filter

- Be sure to turn off the power before replacing the lamp unit and air filter.
- When switching off the projector, make sure to follow the procedures in "Switching off the projector" (➡ page 5).

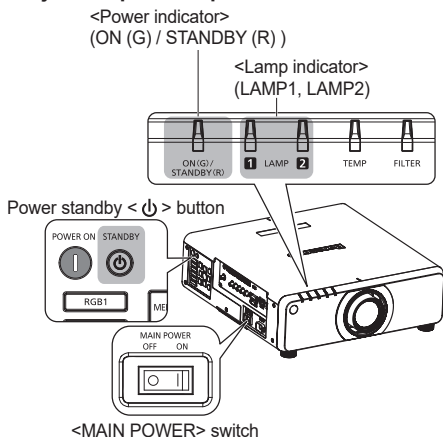
Before replacing the lamp unit and air filter

■ Checking the lamp unit to be replaced

Check the status of the lamp indicators <LAMP1>/<LAMP2>.

- The lamp unit corresponding to the lamp indicator that is lit in red is required to be replaced.

Projector operation panel



■ Notes on the replacement of the lamp unit

- Since the luminous lamp is made of glass, it may burst if dropped or hit with a hard object. Please handle with care.
- Do not disassemble or modify the lamp unit.
- When replacing the lamp unit, be sure to hold it by the handle because its edges are pointed and can get caught on objects.
- The lamp may burst. Replace the lamp unit carefully so that the broken pieces of the lamp glass will not scatter. If the projector is to be attached to the ceiling, do not perform the work while directly beneath the lamp unit or put your face close to it.

- The lamp contains mercury. When disposing of used lamp units, contact your local authorities or dealer for correct methods of disposal.
- When disposing of used air filters, contact your local authorities or dealer for correct methods of disposal.
- We recommend that installation and removal of the lamp unit and clasp be performed by a qualified technician. Contact your dealer.

Note

- A Phillips screwdriver is necessary when replacing the lamp unit and air filter.
- We recommend replacing the air filter whenever replacing the lamp unit.

■ Downward-facing installation

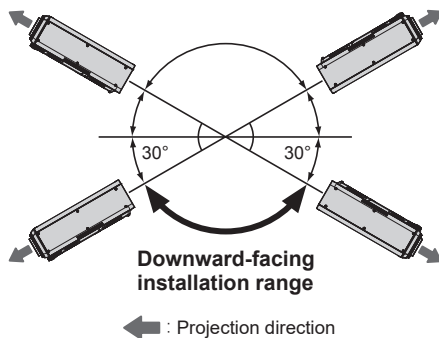
When installing the projector in a downward facing position, be sure to attach the supplied clasp to the lamp unit.

Using the projector without attaching the clasp may shorten the life of the lamp.

For details on how to attach the clasp, see

"Attaching/removing the clasp from the lamp unit"

(➡ Page 7).



Replacing the lamp unit and air filter (continued)

Switching off the projector

When the projector is operating, perform the following steps to turn off the projector, and wait until the lamp unit cools off then make the replacement.

- 1) Press the power standby < ⏻ > button.
- 2) Press < ⏪ > to select [OK], and press the < ENTER > button.
(Or press the power standby < ⏻ > button again.)
 - Projection of the image will stop, and the power indicator < ON (G)/STANDBY (R) > on the projector lights in orange.
(The fan keeps running.)
- 3) Wait until the power indicator < ON (G)/STANDBY (R) > of the projector lights in red (and the fan stops) for approximately 170 seconds.
- 4) Press the < OFF > side of the < MAIN POWER > switch to turn off the power.

Replacing the lamp unit

WARNING:

Replace the lamp unit after the lamp has cooled (after waiting at least one hour).

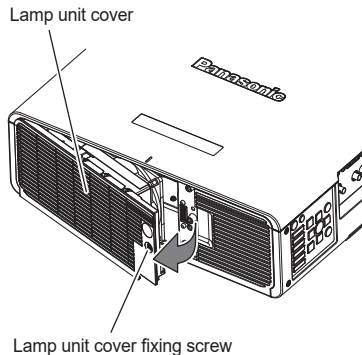
- The high temperature inside the cover will cause burns.

Attention

- When the projector is mounted on the ceiling, do not make the replacement while your face is near the lamp unit.

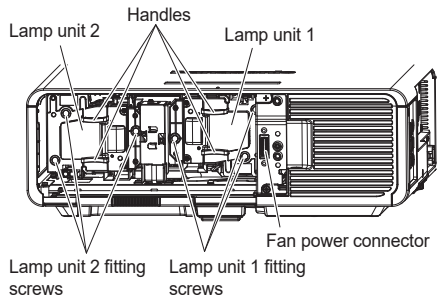
- 1) Set the < MAIN POWER > switch to < OFF > and disconnect the power plug from the power outlet.
 - Wait at least one hour and check if the lamp unit has cooled down.
- 2) Remove the lamp unit cover.
 - Use a Phillips screwdriver to loosen the lamp unit cover fixing screw (one screw) counterclockwise until it turns freely, and then open the lamp unit cover slowly in the direction of the arrow.

- Opening the lamp unit cover quickly may result in damage to the cover.
- If you loosen the lamp unit cover fixing screw with the projector installed upward in the vertical direction, the lamp unit cover may open due to its weight and fall off. When loosening the lamp unit cover fixing screw, be sure to support the lamp unit cover with your hand.



3) Remove the lamp unit.

- Use a Phillips screwdriver to turn the lamp unit fixing screws (three screws) counterclockwise until they turn freely, and then pull the lamp unit out of the projector in a straight line from the projector while holding the handle.



4) Attach the lamp unit.

- (i) Push in the new lamp unit while checking the insert position.
 - If the lamp unit is not installed properly, remove it and then gently install it again. Pushing it in forcibly or exerting excessive force may break the connector.
- (ii) Use a Phillips screwdriver to tighten the lamp unit fixing screws (three screws each).
 - Make sure to attach the lamp unit properly.

Replacing the lamp unit and air filter (continued)

5) Attach the lamp unit cover.

- Close the lamp unit cover by the reverse procedure from step 2), and use a Phillips screwdriver to tighten the lamp unit cover fixing screw (one screw).
 - Make sure the connector at the side of the lamp unit cover is firmly inserted in the fan power connector.
 - Make sure to attach the lamp unit cover properly.

Note

- When you place the new lamp unit, the projector resets the total usage time of the lamp unit automatically.

Attention

- After unpacking the lamp unit, discard the packaging material properly.

Replacing the air filter

1) Set the <MAIN POWER> switch to <OFF> and disconnect the power plug from the power outlet.

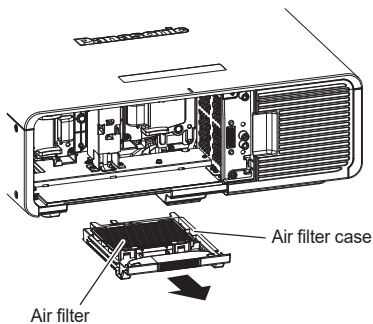
- Wait at least one hour and check if the lamp unit has cooled down.

2) Remove the lamp unit cover.

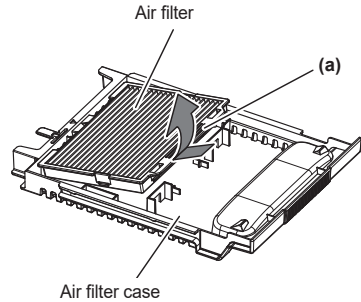
- See step 2 of the "Replacing the lamp unit" section.

3) Removing the air filter.

- (i) Pull the air filter case out from the projector.

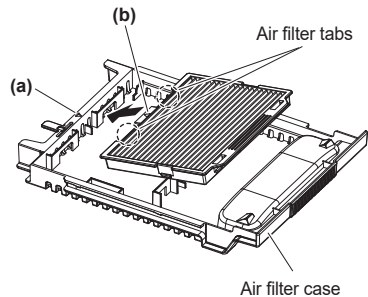


- (ii) Remove the air filter from the air filter case.
- Hold the (a) section of the air filter, and raise the filter while pushing it gently in the direction of the arrow.

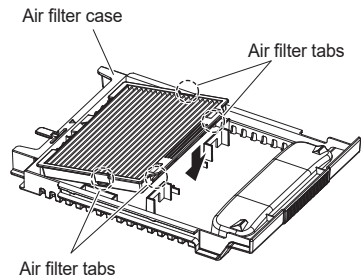


4) Attaching the air filter.

- (i) Align the marks (Δ) on sections (a) and (b), and insert the tabs of the new air filter into the air filter case in the direction of the arrow.



- (ii) Press the air filter in the direction of the arrow, and insert the tabs securely.
- Make sure the tabs are secured firmly.



Replacing the lamp unit and air filter (continued)

5) Attach the air filter case to the projector.

- Be sure to insert the air filter case fully and securely.

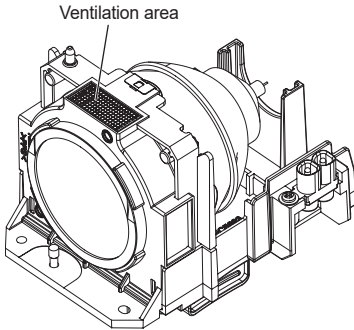
6) Attach the lamp unit cover.

- See step 5 of the "Replacing the lamp unit" section.

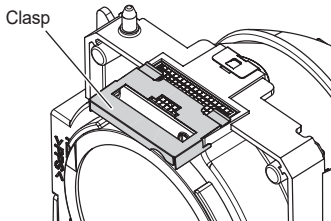
Attaching/removing the clasp from the lamp unit

■ Attaching the clasp

Attach the clasp to the ventilation area of the lamp unit.

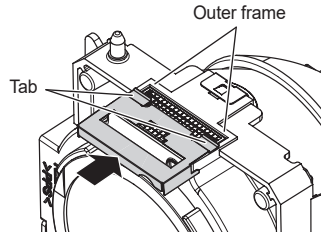


1) Place the clasp on the ventilation area.

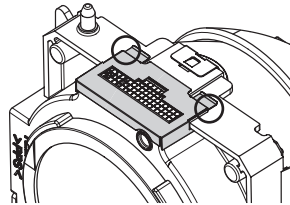


2) Press the bottom side of the clasp to slide it in.

- Press the clasp all the way in until it stops.



3) Verify that the clasp's tabs (left and right) fit securely on the outer frame of the ventilation area.



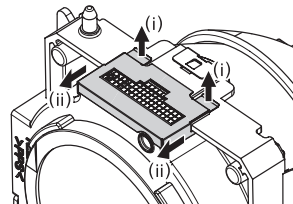
■ Attention

- When handling the clasp, gently hold it between your fingers on the left and right sides. Grasping the clasp from the top or bottom surfaces may result in deformation.
- Do not press down on the metal mesh of the ventilation area. Doing so may result in deformation.
- Remove the clasp from the lamp unit when switching the installation to an orientation other than downward-facing.

■ Removing the clasp

Slide the clasp off while lifting its tabs (left and right).

- Use your nails, for example, to lift the tabs at their raised top edges (i), and slide the clasp off of the ventilation area's outer frame (ii).



English

Manufactured by:

Panasonic Connect Co., Ltd.
4-1-62 Minoshima, Hakata-ku, Fukuoka 812-8531,
Japan

Importer:

Panasonic Connect Europe GmbH

Authorized Representative in EU:

Panasonic Testing Centre
Winsbergring 15, 22525 Hamburg, Germany

Importer for UK;

Panasonic Connect UK,
a branch of Panasonic Connect
Europe GmbH,
Maxis 2, Western Road, Bracknell,
Berkshire, RG12 1RT



Italiano

Fabbricato da:

Panasonic Connect Co., Ltd.
4-1-62 Minoshima, Hakata-ku, Fukuoka 812-8531,
Giappone

Importatore:

Panasonic Connect Europe GmbH

Rappresentante autorizzato nell'UE:

Panasonic Testing Centre
Winsbergring 15, 22525 Amburgo, Germania

Français

Fabriqué par:

Panasonic Connect Co., Ltd.
4-1-62 Minoshima, Hakata-ku, Fukuoka 812-8531,
Japan

Importateur :

Panasonic Connect Europe GmbH

Représentant autorisé dans l'UE :

Panasonic Testing Centre
Winsbergring 15, 22525 Hambourg, Allemagne

Български

Производител:

Panasonic Connect Co., Ltd.
4-1-62 Minoshima, Hakata-ku, Fukuoka 812-8531,
Япония

Вносител:

Panasonic Connect Europe GmbH

Упълномощен представител в ЕС:

Panasonic Testing Centre
Winsbergring 15, 22525 Hamburg, Германия

Español

Fabricado por:

Panasonic Connect Co., Ltd.
4-1-62 Minoshima, Hakata-ku, Fukuoka 812-8531,
Japón

Importador:

Panasonic Connect Europe GmbH

Representante Autorizado para la UE:

Panasonic Testing Centre
Winsbergring 15, 22525 Hamburg, Alemania

Čeština

Vyrobil:

Panasonic Connect Co., Ltd.
4-1-62 Minoshima, Hakata-ku, Fukuoka 812-8531,
Japonsko

Dovozce:

Panasonic Connect Europe GmbH

Oprávněný zástupce v EU:

Panasonic Testing Centre
Winsbergring 15, 22525 Hamburk, Německo

Deutsch

Hergestellt von:

Panasonic Connect Co., Ltd.
4-1-62 Minoshima, Hakata-ku, Fukuoka 812-8531,
Japan

Importeur:

Panasonic Connect Europe GmbH

Vertretungsberechtigter in der EU:

Panasonic Testing Centre
Winsbergring 15, 22525 Hamburg, Deutschland

Dansk

Fremstillet af:

Panasonic Connect Co., Ltd.
4-1-62 Minoshima, Hakata-ku, Fukuoka 812-8531,
Japan

Importør:

Panasonic Connect Europe GmbH

Autoriseret repræsentant i EU:

Panasonic Testing Centre
Winsbergring 15, 22525 Hamburg, Tyskland

Eesti

Tootja:

Panasonic Connect Co., Ltd.
4-1-62 Minoshima, Hakata-ku, Fukuoka 812-8531,
Jaapan

Maaletooja:

Panasonic Connect Europe GmbH

Volitatud esindaja ELis:

Panasonic Testing Centre
Winsbergring 15, 22525 Hamburg, Saksamaa

Lietuvių

Gamintojas:

Panasonic Connect Co., Ltd.
4-1-62 Minoshima, Hakata-ku, Fukuoka 812-8531,
Japonija

Importuotojas:

Panasonic Connect Europe GmbH

Igaliotasis atstovas ES:

Panasonic Testing Centre
Winsbergring 15, 22525 Hamburgas, Vokietija

Ελληνικά

Κατασκευάστηκε από:

Panasonic Connect Co., Ltd.
4-1-62 Minoshima, Hakata-ku, Fukuoka 812-8531,
Ιαπωνία

Εισαγωγέας:

Panasonic Connect Europe GmbH

Εξουσιοδοτημένος αντιπρόσωπος στην ΕΕ:

Panasonic Testing Centre
Winsbergring 15, 22525 Hamburg, Γερμανία

Magyar

Gyártotta:

Panasonic Connect Co., Ltd.
4-1-62 Minoshima, Hakata-ku, Fukuoka 812-8531,
Japán

Importőr:

Panasonic Connect Europe GmbH

Hivatalos képviselő az EU-ban:

Panasonic Testing Centre
Winsbergring 15, 22525 Hamburg, Németország

Hrvatski

Proizvodi:

Panasonic Connect Co., Ltd.
4-1-62 Minoshima, Hakata-ku, Fukuoka 812-8531,
Japan

Uvoznik:

Panasonic Connect Europe GmbH

Ovlašteni zastupnik u EU-u:

Panasonic Testing Centre
Winsbergring 15, 22525 Hamburg, Njemačka

Nederlands

Geproduceerd door:

Panasonic Connect Co., Ltd.
4-1-62 Minoshima, Hakata-ku, Fukuoka 812-8531,
Japan

Importeur:

Panasonic Connect Europe GmbH

Bevoegde vertegenwoordiger in de EU:

Panasonic Testing Centre
Winsbergring 15, 22525 Hamburg, Duitsland

Latviešu

Ražotājs:

Panasonic Connect Co., Ltd.
4-1-62 Minoshima, Hakata-ku, Fukuoka 812-8531,
Japāna

Importētājs:

Panasonic Connect Europe GmbH

Oficiālais pārstāvis ES:

Panasonic Testing Centre
Winsbergring 15, 22525 Hamburg, Vācija

Norsk

Produsert av:

Panasonic Connect Co., Ltd.
4-1-62 Minoshima, Hakata-ku, Fukuoka 812-8531,
Japan

Importør:

Panasonic Connect Europe GmbH

Autorisert representant i EU:

Panasonic Testing Centre
Winsbergring 15, 22525 Hamburg, Tyskland

Polski

Wyprodukowano przez:

Panasonic Connect Co., Ltd.
4-1-62 Minoshima, Hakata-ku, Fukuoka 812-8531,
Japonia

Importer:

Panasonic Connect Europe GmbH

Upoważniony przedstawiciel w UE:

Panasonic Testing Centre
Winsbergring 15, 22525 Hamburg, Niemcy

Slovenščina

Proizvajala:

Panasonic Connect Co., Ltd.
4-1-62 Minoshima, Hakata-ku, Fukuoka 812-8531,
Japonska

Uvoznik:

Panasonic Connect Europe GmbH

Pooblaščen zastopnik v EU:

Panasonic Testing Centre
Winsbergring 15, 22525 Hamburg, Nemčija

Português

Fabricado por:

Panasonic Connect Co., Ltd.
4-1-62 Minoshima, Hakata-ku, Fukuoka 812-8531,
Japão

Importador:

Panasonic Connect Europe GmbH

Representante Autorizado na UE:

Panasonic Testing Centre
Winsbergring 15, 22525 Hamburgo, Alemanha

Türkçe

Tarafından Üretilmiştir:

Panasonic Connect Co., Ltd.
4-1-62 Minoshima, Hakata-ku, Fukuoka 812-8531,
Japonya

İthalatçı:

Panasonic Connect Europe GmbH

AB Yetkili Temsilcisi:

Panasonic Testing Centre
Winsbergring 15, 22525 Hamburg, Almanya

Română

Fabricat de:

Panasonic Connect Co., Ltd.
4-1-62 Minoshima, Hakata-ku, Fukuoka 812-8531,
Japonia

Importator:

Panasonic Connect Europe GmbH

Reprezentant autorizat în UE:

Panasonic Testing Centre
Winsbergring 15, 22525 Hamburg, Germania

Suomi

Valmistaja:

Panasonic Connect Co., Ltd.
4-1-62 Minoshima, Hakata-ku, Fukuoka 812-8531,
Japani

Maahantuoja:

Panasonic Connect Europe GmbH

Valtuutettu edustaja EU:ssa:

Panasonic Testing Centre
Winsbergring 15, 22525 Hampuri, Saksa

Slovenčina

Výrobca:

Panasonic Connect Co., Ltd.
4-1-62 Minoshima, Hakata-ku, Fukuoka 812-8531,
Japonsko

Dovozca:

Panasonic Connect Europe GmbH

Autorizovaný zástupca v EU:

Panasonic Testing Centre
Winsbergring 15, 22525 Hamburg, Nemecko

Svenska

Tillverkad av:

Panasonic Connect Co., Ltd.
4-1-62 Minoshima, Hakata-ku, Fukuoka 812-8531,
Japan

Importör:

Panasonic Connect Europe GmbH

Auktoriserad representant i EU:

Panasonic Testing Centre
Winsbergring 15, 22525 Hamburg, Tyskland

MEMO



Disposal of Old Equipment

Only for European Union and countries with recycling systems



This symbol on the products, packaging, and/or accompanying documents means that used electrical and electronic products must not be mixed with general household waste.

For proper treatment, recovery and recycling of old products, please take them to applicable collection points in accordance with your national legislation.

By disposing of them correctly, you will help to save valuable resources and prevent any potential negative effects on human health and the environment.

For more information about collection and recycling, please contact your local authority.

Penalties may be applicable for incorrect disposal of this waste, in accordance with national legislation.

Product Information (for Turkey only)

AEEE Yönetmeliğine Uygundur.

Eski Ekipman İşlenmesi.

Sadece geri dönüşüm sistemleri olan Avrupa Birliği ve ülkeleri için geçerlidir.



Ürünler, ambalaj ve/veya ekli belgeler üzerindeki bu semboller kullanılmış elektrik ve elektronik ürünlerin genel ev atığı ile karıştırılmaması gerektiğini ifade eder.

Eski ürünlerin toplanması ve geri kazanılması için bu atıkları lütfen yasayla belirlenmiş olan uygun toplama merkezlerine teslim ediniz.

Bu atıkların doğru işlenmesiyle, değerli kaynakların korunmasına ve insan sağlığı ve çevreye olası negatif etkilerinin engellenmesine yardımcı olabilirsiniz.

Atıkların toplanması ve geri dönüşümü için detaylı bilgi için lütfen bağlı olduğunuz yerel yönetimlerle iletişime geçiniz.

Atıkların atılmasıyla ilgili yanlış uygulamalar yasayla belirlenmiş olan cezalara sebebiyet verebilir.

Panasonic Connect Co., Ltd.

Web Site : <https://panasonic.net/cns/projector/>

© Panasonic Connect Co., Ltd. 2022

HS0415AM2042 -PS

Printed in Japan