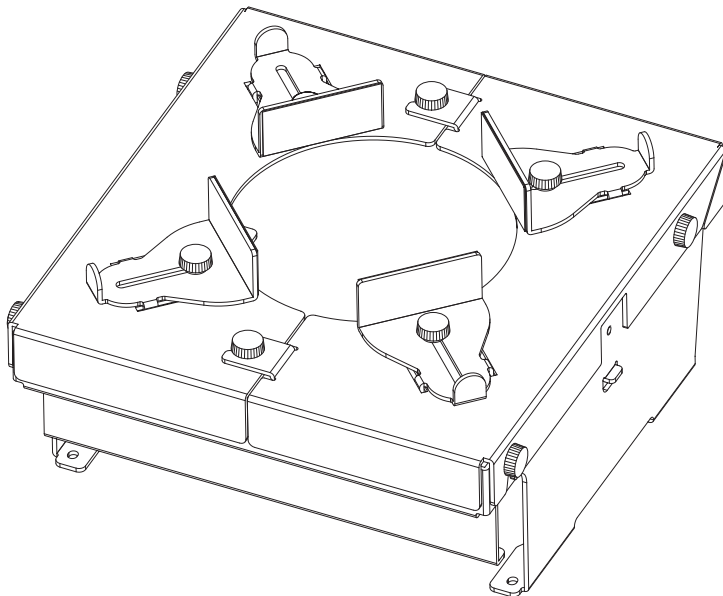


# Panasonic®

## Operating Instructions

Lens Fixed Attachment **Commercial Use**

Model No. **ET-PLF20**



ENGLISH

FRANÇAIS

日本語

Thank you for purchasing this Panasonic product.

- To ensure safe and correct use, please read this manual together with the operating instructions supplied with the projector carefully.
- **Before using this product, be sure to read “Read this first!” (➡Page 3).**
- Please save this manual for future use.



# Contents

<b>Read this first!</b> .....	<b>3</b>
<b>Before Use</b> .....	<b>4</b>
<b>Attaching and Detaching the Lens Fixing Attachment</b> .....	<b>5</b>
Preparing the Projection Lens .....	5
Preparing the Lens Fixing Attachment.....	5
Attaching the Lens Fixing Attachment .....	7
Detaching the Lens Fixing Attachment .....	8
<b>Specifications</b> .....	<b>9</b>
<b>External Dimensions</b> .....	<b>9</b>
<b>Dimensions when Attached to Projector</b> .....	<b>10</b>

**WARNING:**

**Before attaching the lens fixing attachment, be sure to turn off the power and disconnect the power plug from the wall outlet.**

- Unexpected projection of light may cause injury to eyes.
- Replacing without removing the power plug may result in electrical shock.

**Do not allow children to reach the supplied flat washers, spring washers, and thumbscrews.**

- These items can cause personal injury if swallowed.
- If swallowed, seek medical help immediately.

**CAUTION:**

**Do not touch any part or remove parts other than specified.**

- Doing so may cause a loss of performance or safety.

# Before Use

## ■ Overview

This product suppresses vibration of projection images due to vibration of the lens by fixing the projection lens of the projector.

## ■ Supported Lens

ET-D3LEU100 / ET-D3LEW200

## ■ Supported Projectors

PT-RQ32K, PT-RZ31K, and PT-RS30K series

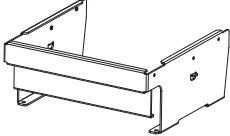
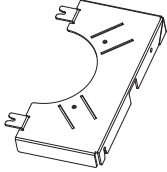
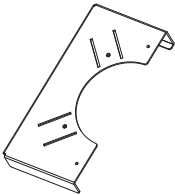
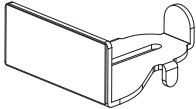

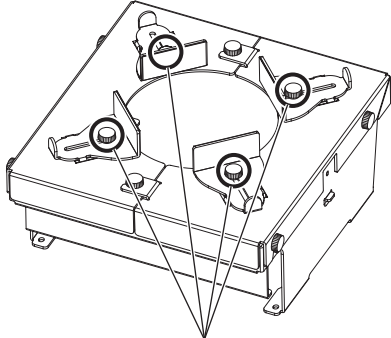


PT-RQ22K, PT-RZ21K, and PT-RS20K series

PT-RQ13K, PT-RZ12K, and PT-RS11K series

### Note

- Models other than the above may also be supported. Refer to the operating instructions of the projector you are using.

## ■ Structural components

Part name	Appearance (quantity)	Application
Lens fixing attachment mount bracket	 x1	This part attaches to the projector unit. It is a bracket for attaching the lens fixing attachment bracket
Lens fixing attachment bracket (A)	 x1	This part attaches to the lens fixing attachment mount bracket. It is a bracket for adjusting and fixing the positions of the lens fixing brackets.
Lens fixing attachment bracket (B)	 x1	
Lens fixing bracket	 x4	This part attaches to the lens fixing attachment mount bracket. They are brackets for fixing the lens.
Screws and washers	Spring washer (M4)  x4	These are used for bracket assembly and fixing the lens fixing brackets.  The spring washers and flat washers are used for the thumbscrews of the lens fixing brackets.
	Flat washer (M4)  x4	
	Thumbscrew (M4 x 10)  x10	

# Attaching and Detaching the Lens Fixing Attachment

## Preparing the Projection Lens

Attach the lens fixing attachment after installing and adjusting the lens.

### Attention

- The projection lens will be fixed after attaching the lens fixing attachment. Do not perform lens calibration or lens adjustment after the lens fixing attachment is attached.

## Preparing the Lens Fixing Attachment

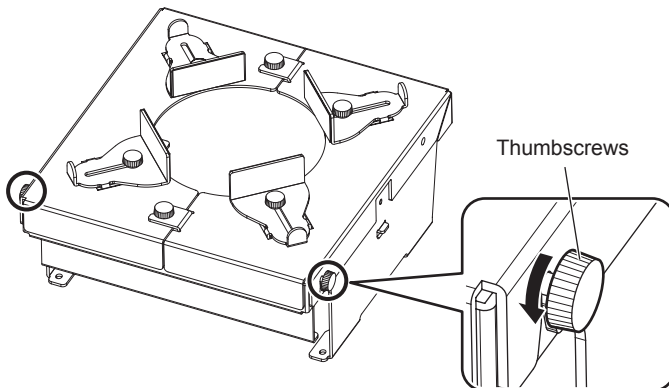
Lens fixing attachment bracket (B)

Lens fixing attachment bracket (A)

Thumbscrews

Lens fixing attachment  
mount bracket

- 1) Remove the two upper thumbscrews (inserted in round holes).



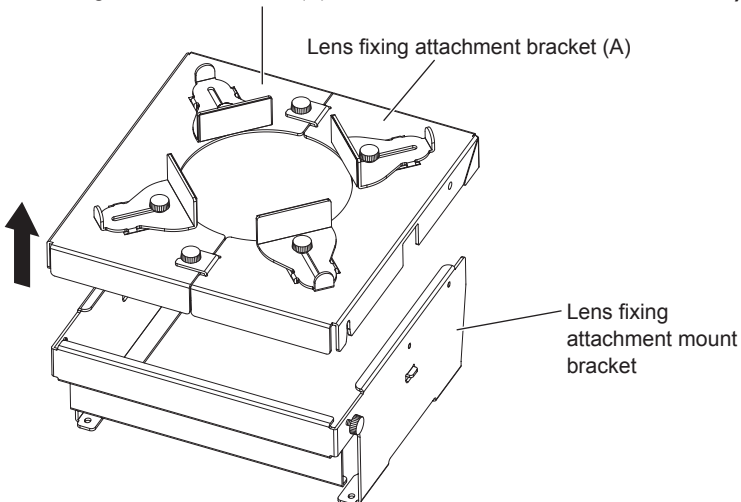
- 2) Loosen the two lower thumbscrews (inserted in slots).

Lens fixing attachment bracket (B)

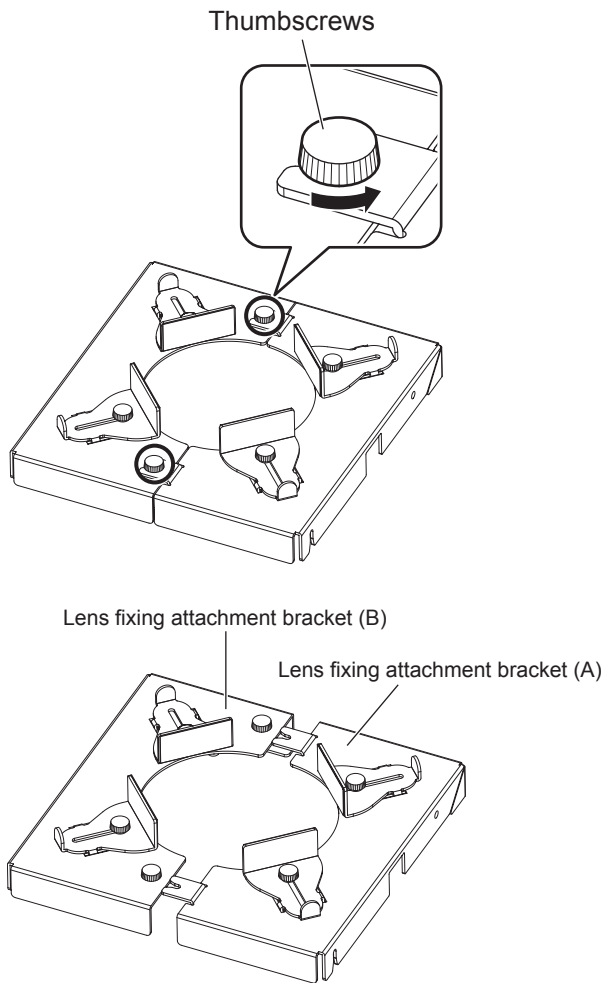
Lens fixing attachment bracket (A)

Lens fixing  
attachment  
mount  
bracket

- 3) Remove the lens fixing attachment bracket as shown in the figure.



## Attaching and Detaching the Lens Fixing Attachment (continued)

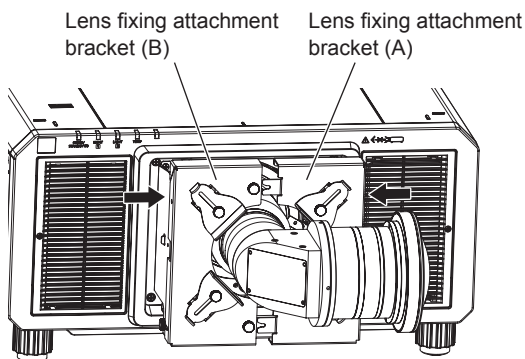
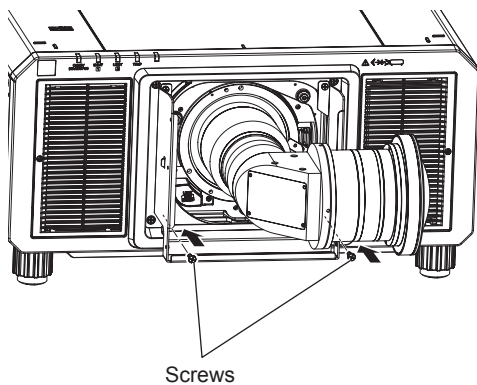
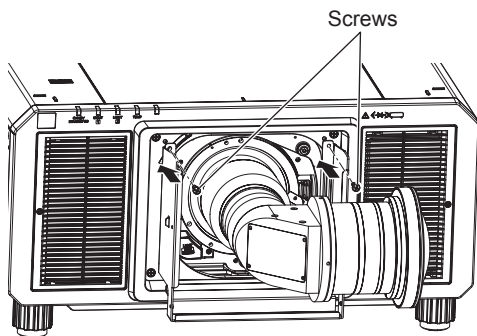
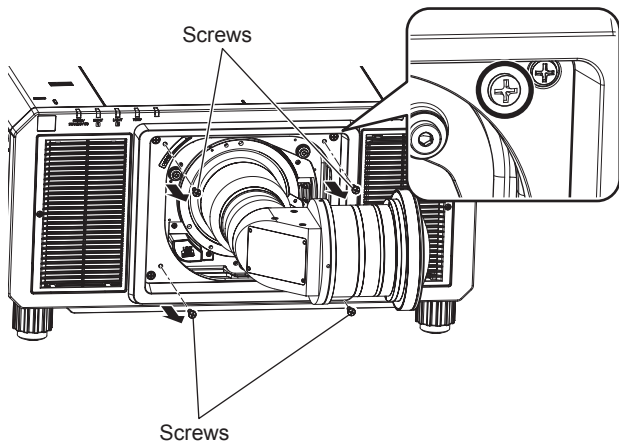


4) Loosen the thumbscrews (two places) at the center of the lens fixing attachment bracket.

5) Separate lens fixing attachment bracket (A) and lens fixing attachment bracket (B) as shown in the figure.

# Attaching and Detaching the Lens Fixing Attachment (continued)

## Attaching the Lens Fixing Attachment



The illustrations for this procedure use the PT-RZ21K as an example.

- 1) Of the screws that surround projection lens at its four corners (two screws at each corner) on the front of the projector, remove the inner screws (four screws total).

- For the following projectors, there is only one screw at each corner surrounding the projection lens. Remove the screws at each corner (four screws total) for these projectors.

PT-RQ32K, PT-RZ31K, and PT-RS30K series  
PT-RQ13K, PT-RZ12K, and PT-RS11K series

- 2) Fix the upper part of the lens fixing attachment mount bracket using two of the screws that were removed in step 1.

- Tighten the screws at positions where screws were removed in step 1.

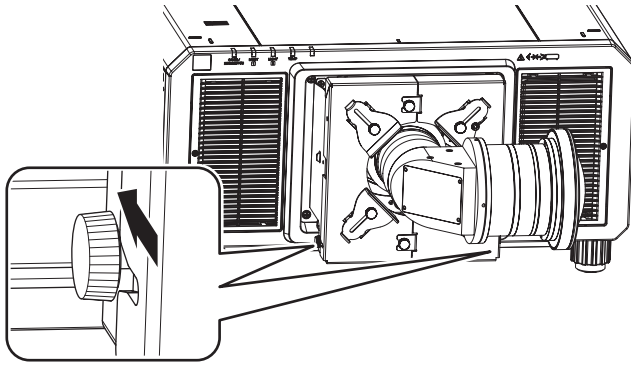
- 3) Fix the lower part of the lens fixing attachment mount bracket using the remaining two screws.

- Tighten the screws at positions where screws were removed in step 1.

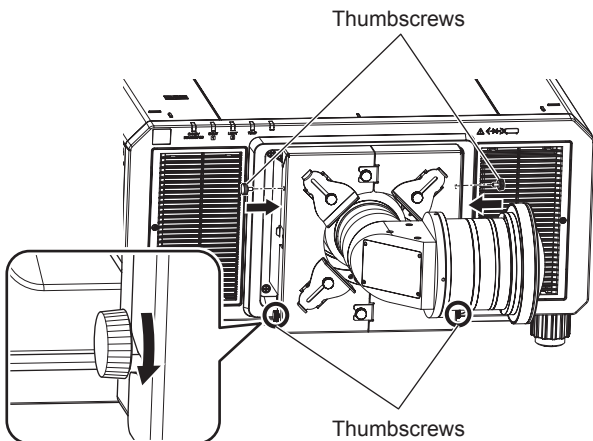
- 4) Attach lens fixing attachment bracket (A) and lens fixing attachment bracket (B) from the left and right so that the lens fits between them as shown in the figure.

- Align the screws of lens fixing attachment bracket (B) and the grooves of lens fixing attachment bracket (A).

## Attaching and Detaching the Lens Fixing Attachment (continued)

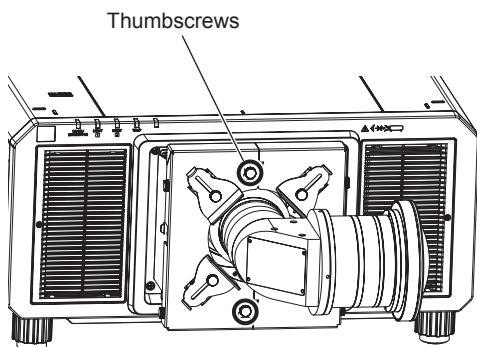


- 5) Attach the lens fixing attachment bracket to the lens fixing attachment mount bracket as shown in the figure.

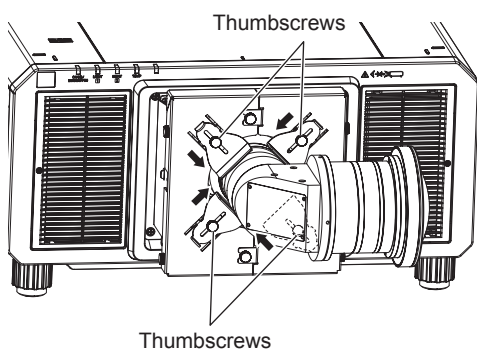


- 6) Fix the upper part of the lens fixing attachment bracket in place using the thumbscrews removed in step 1 of "Preparing the Lens Fixing Attachment."

- 7) Fix the lower part of the lens fixing attachment bracket in place using thumbscrews (two places).



- 8) Fix the center of the lens fixing attachment bracket in place using thumbscrews (two places).



- 9) Loosen the thumbscrews (four places) of the lens fixing bracket.

- 10) Push the lens fixing brackets up against the lens and then fix them in place using thumbscrews (four places).

### Note

- When the projector's active focus optimizer function is used, the function may not operate properly if this product is attached. In such a case, take care not to apply excessive force when pushing the lens fixing brackets up against the projection lens.

## Detaching the Lens Fixing Attachment

- When removing the lens fixing attachment, remove it by performing the procedure of "Attaching the Lens Fixing Attachment" (pages 7 to 8) in reverse.
- When assembling and then storing the lens fixing attachment, assemble it by performing the procedure of "Preparing the Lens Fixing Attachment" (pages 5 to 6) in reverse.

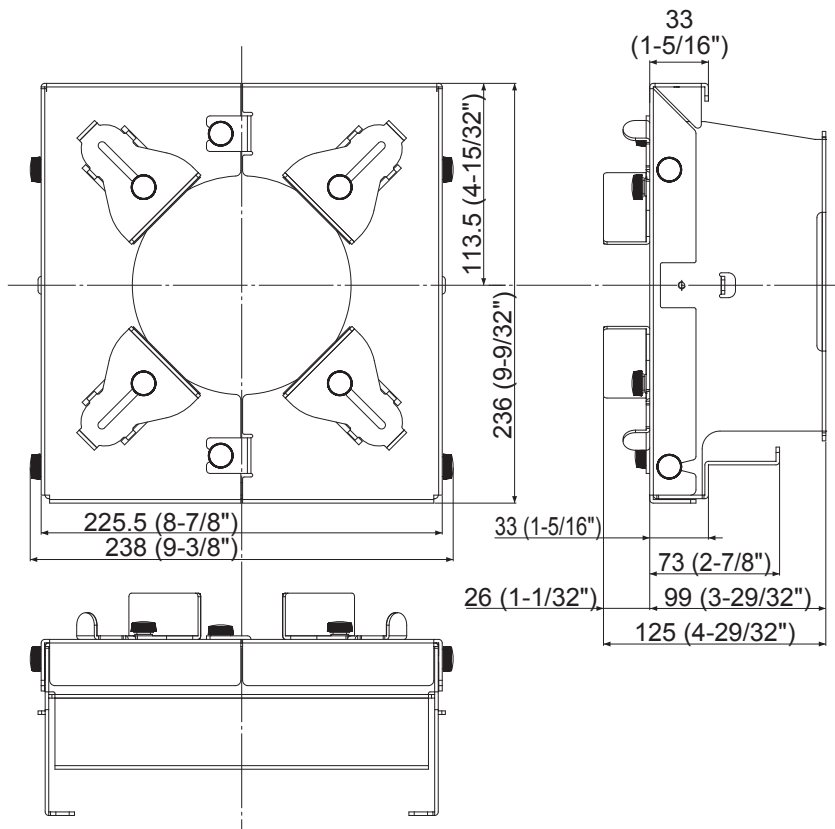


# Specifications

External dimensions	Width: 238 mm (9-3/8") Height: 125 mm (4-29/32") Depth: 236 mm (9-9/32")
Weight	Approx. 0.9 kg (2.0 lb)

# External Dimensions

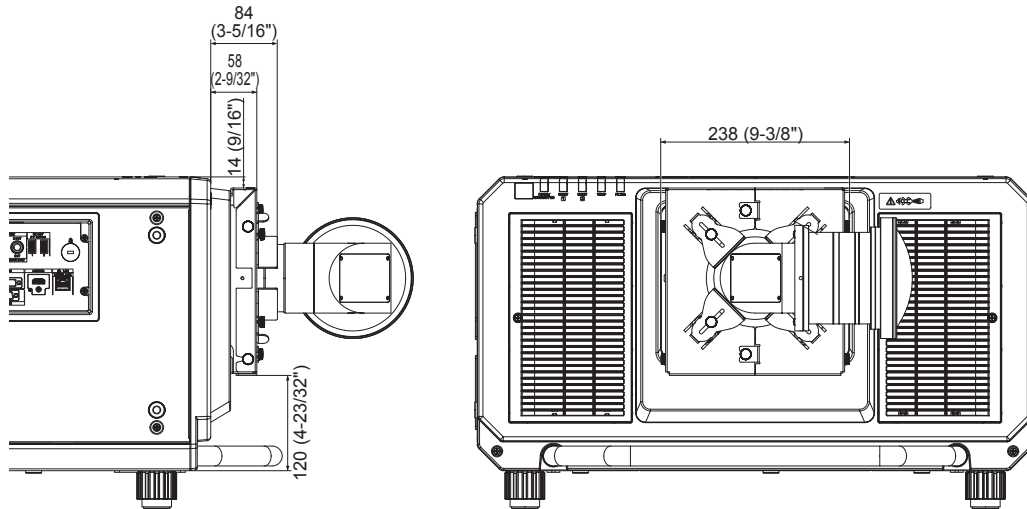
(Unit: mm)



# Dimensions when Attached to Projector

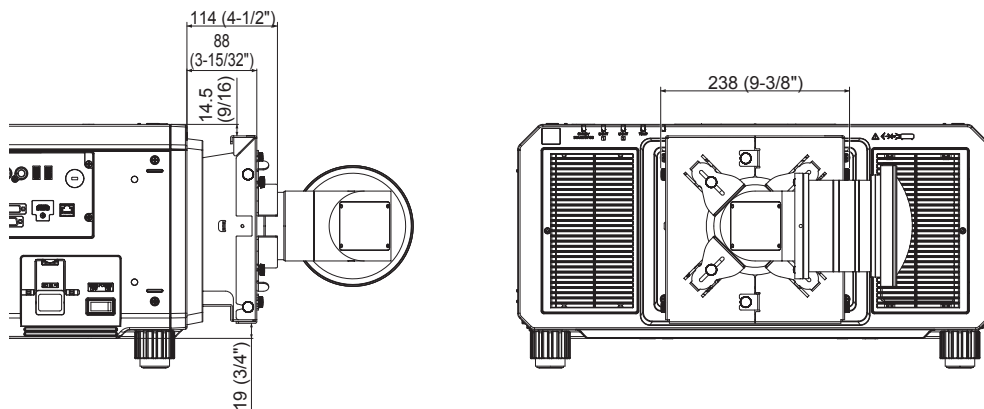
## ■ PT-RQ32K / PT-RZ31K / PT-RS30K

(Unit: mm)



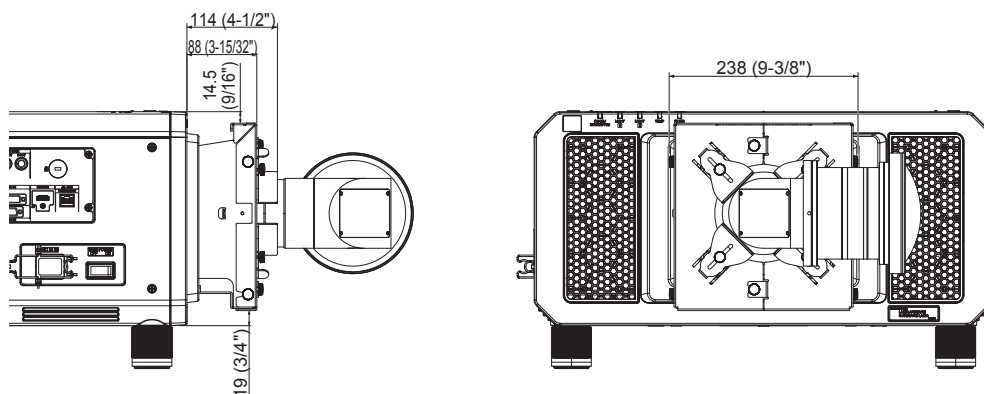
## ■ PT-RQ22K / PT-RZ21K / PT-RS20K

(Unit: mm)



## ■ PT-RQ13K / PT-RZ12K / PT-RS11K

(Unit: mm)



## English

**Manufactured by:**

Panasonic Connect Co., Ltd.  
4-1-62 Minoshima, Hakata-ku, Fukuoka 812-8531, Japan

**Importer:**

Panasonic Connect Europe GmbH

**Authorized Representative in EU:**

Panasonic Testing Centre  
Winsbergring 15, 22525 Hamburg, Germany

**Importer for UK;**

Panasonic Connect UK,  
a branch of Panasonic Connect Europe GmbH,  
Maxis 2, Western Road, Bracknell, Berkshire, RG12 1RT



## Čeština

**Vyrobil:**

Panasonic Connect Co., Ltd.  
4-1-62 Minoshima, Hakata-ku, Fukuoka 812-8531, Japonsko

**Dovozce:**

Panasonic Connect Europe GmbH

**Oprávněný zástupce v EU:**

Panasonic Testing Centre  
Winsbergring 15, 22525 Hamburg, Německo

## Français

**Fabriqué par:**

Panasonic Connect Co., Ltd.  
4-1-62 Minoshima, Hakata-ku, Fukuoka 812-8531, Japon

**Importateur :**

Panasonic Connect Europe GmbH

**Représentant autorisé dans l'UE :**

Panasonic Testing Centre  
Winsbergring 15, 22525 Hamburg, Allemagne

## Dansk

**Fremstillet af:**

Panasonic Connect Co., Ltd.  
4-1-62 Minoshima, Hakata-ku, Fukuoka 812-8531, Japan

**Importør:**

Panasonic Connect Europe GmbH

**Autoriseret repræsentant i EU:**

Panasonic Testing Centre  
Winsbergring 15, 22525 Hamburg, Tyskland

## Español

**Fabricado por:**

Panasonic Connect Co., Ltd.  
4-1-62 Minoshima, Hakata-ku, Fukuoka 812-8531, Japón

**Importador:**

Panasonic Connect Europe GmbH

**Representante Autorizado para la UE:**

Panasonic Testing Centre  
Winsbergring 15, 22525 Hamburg, Alemania

## Eesti

**Tootja:**

Panasonic Connect Co., Ltd.  
4-1-62 Minoshima, Hakata-ku, Fukuoka 812-8531, Jaapan

**Maaletooja:**

Panasonic Connect Europe GmbH

**Volitatud esindaja ELis:**

Panasonic Testing Centre  
Winsbergring 15, 22525 Hamburg, Saksamaa

## Deutsch

**Hergestellt von:**

Panasonic Connect Co., Ltd.  
4-1-62 Minoshima, Hakata-ku, Fukuoka 812-8531, Japan

**Importeur:**

Panasonic Connect Europe GmbH

**Vertretungsberechtigter in der EU:**

Panasonic Testing Centre  
Winsbergring 15, 22525 Hamburg, Deutschland

## Ελληνικά

**Κατασκευάστηκε από:**

Panasonic Connect Co., Ltd.  
4-1-62 Minoshima, Hakata-ku, Fukuoka 812-8531, Ιαπωνία

**Εισαγωγέας:**

Panasonic Connect Europe GmbH

**Εξουσιοδοτημένος αντιπρόσωπος στην ΕΕ:**

Panasonic Testing Centre  
Winsbergring 15, 22525 Hamburg, Γερμανία

## Italiano

**Fabbricato da:**

Panasonic Connect Co., Ltd.  
4-1-62 Minoshima, Hakata-ku, Fukuoka 812-8531, Giappone

**Importatore:**

Panasonic Connect Europe GmbH

**Rappresentante autorizzato nell'UE:**

Panasonic Testing Centre  
Winsbergring 15, 22525 Hamburg, Germania

## Hrvatski

**Proizvodi:**

Panasonic Connect Co., Ltd.  
4-1-62 Minoshima, Hakata-ku, Fukuoka 812-8531, Japan

**Uvoznik:**

Panasonic Connect Europe GmbH

**Ovlašteni zastupnik u EU-u:**

Panasonic Testing Centre  
Winsbergring 15, 22525 Hamburg, Njemačka

## Български

**Производител:**

Panasonic Connect Co., Ltd.  
4-1-62 Minoshima, Hakata-ku, Fukuoka 812-8531, Япония

**Вносител:**

Panasonic Connect Europe GmbH

**Упълномощен представител в ЕС:**

Panasonic Testing Centre  
Winsbergring 15, 22525 Hamburg, Германия

## Latviešu

**Ražotājs:**

Panasonic Connect Co., Ltd.  
4-1-62 Minoshima, Hakata-ku, Fukuoka 812-8531, Japāna

**Importētājs:**

Panasonic Connect Europe GmbH

**Oficiālais pārstāvis ES:**

Panasonic Testing Centre  
Winsbergring 15, 22525 Hamburg, Vācija

## Lietuvių

**Gamintojas:**

Panasonic Connect Co., Ltd.  
4-1-62 Minoshima, Hakata-ku, Fukuoka 812-8531, Japonija

**Importuotojas:**

Panasonic Connect Europe GmbH

**Ilgaliojantis atstovas ES:**

Panasonic Testing Centre  
Winsbergring 15, 22525 Hamburgas, Vokietija

## Română

**Fabricat de:**

Panasonic Connect Co., Ltd.  
4-1-62 Minoshima, Hakata-ku, Fukuoka 812-8531, Japonia

**Importator:**

Panasonic Connect Europe GmbH

**Reprezentant autorizat în UE:**

Panasonic Testing Centre  
Winsbergring 15, 22525 Hamburg, Germania

## Magyar

**Gyártotta:**

Panasonic Connect Co., Ltd.  
4-1-62 Minoshima, Hakata-ku, Fukuoka 812-8531, Japán

**Importőr:**

Panasonic Connect Europe GmbH

**Hivatalos képviselő az EU-ban:**

Panasonic Testing Centre  
Winsbergring 15, 22525 Hamburg, Németország

## Slovenčina

**Výrobca:**

Panasonic Connect Co., Ltd.  
4-1-62 Minoshima, Hakata-ku, Fukuoka 812-8531, Japonsko

**Dovozca:**

Panasonic Connect Europe GmbH

**Autorizovaný zástupca v EÚ:**

Panasonic Testing Centre  
Winsbergring 15, 22525 Hamburg, Nemecko

## Nederlands

**Geproduceerd door:**

Panasonic Connect Co., Ltd.  
4-1-62 Minoshima, Hakata-ku, Fukuoka 812-8531, Japan

**Importeur:**

Panasonic Connect Europe GmbH

**Bevoegde vertegenwoordiger in de EU:**

Panasonic Testing Centre  
Winsbergring 15, 22525 Hamburg, Duitsland

## Slovenščina

**Proizvajala:**

Panasonic Connect Co., Ltd.  
4-1-62 Minoshima, Hakata-ku, Fukuoka 812-8531, Japonska

**Uvoznik:**

Panasonic Connect Europe GmbH

**Pooblaščen zastopnik v EU:**

Panasonic Testing Centre  
Winsbergring 15, 22525 Hamburg, Nemčija

## Norsk

**Produsert av:**

Panasonic Connect Co., Ltd.  
4-1-62 Minoshima, Hakata-ku, Fukuoka 812-8531, Japan

**Importør:**

Panasonic Connect Europe GmbH

**Autorisert representant i EU:**

Panasonic Testing Centre  
Winsbergring 15, 22525 Hamburg, Tyskland

## Türkçe

**Tarafından Üretilmiştir:**

Panasonic Connect Co., Ltd.  
4-1-62 Minoshima, Hakata-ku, Fukuoka 812-8531, Japonya

**İthalatçı:**

Panasonic Connect Europe GmbH

**AB Yetkili Temsilcisi:**

Panasonic Testing Centre  
Winsbergring 15, 22525 Hamburg, Almanya

## Polski

**Wyprodukowano przez:**

Panasonic Connect Co., Ltd.  
4-1-62 Minoshima, Hakata-ku, Fukuoka 812-8531, Japonia

**Importer:**

Panasonic Connect Europe GmbH

**Upoważniony przedstawiciel w UE:**

Panasonic Testing Centre  
Winsbergring 15, 22525 Hamburg, Niemcy

## Suomi

**Valmistaja:**

Panasonic Connect Co., Ltd.  
4-1-62 Minoshima, Hakata-ku, Fukuoka 812-8531, Japani

**Maahantuoja:**

Panasonic Connect Europe GmbH

**Valtuutettu edustaja EU:ssa:**

Panasonic Testing Centre  
Winsbergring 15, 22525 Hampuri, Saksa

## Português

**Fabricado por:**

Panasonic Connect Co., Ltd.  
4-1-62 Minoshima, Hakata-ku, Fukuoka 812-8531, Japão

**Importador:**

Panasonic Connect Europe GmbH

**Representante Autorizado na UE:**

Panasonic Testing Centre  
Winsbergring 15, 22525 Hamburgo, Alemanha

## Svenska

**Tillverkad av:**

Panasonic Connect Co., Ltd.  
4-1-62 Minoshima, Hakata-ku, Fukuoka 812-8531, Japan

**Importör:**

Panasonic Connect Europe GmbH

**Auktoriserad representant i EU:**

Panasonic Testing Centre  
Winsbergring 15, 22525 Hamburg, Tyskland

# Panasonic Connect Co., Ltd.

Web Site : <https://panasonic.net/cns/projector/>

© Panasonic Connect Co., Ltd. 2022

SS0819AM1042 -PS  
Printed in Japan