

Panasonic®

5-Bay Charge only Cradle Cradle für 5 Akkus nur Laden Station d'accueil de charge uniquement (5 baies) 充電台 (5連式)

Model No. **FZ-VCBN141**

Operating Instructions

Thank you for purchasing a Panasonic product. Before operating this product, please read these instructions and precautions, and save them for future use.

ENGLISH

Bedienungsanleitung

Vielen Dank, dass Sie sich für den Kauf dieses Panasonic-Produkts entschieden haben. Bevor Sie dieses Produkt verwenden, lesen Sie diese Anweisungen und Vorsichtsmaßnahmen durch und bewahren Sie sie für die zukünftige Verwendung auf.

DEUTSCH

Instructions d'utilisation

Nous vous remercions d'avoir acheté un produit Panasonic.

Avant d'utiliser ce produit, veuillez lire les présentes instructions et précautions et les conserver pour usage ultérieur.

FRANÇAIS

取扱説明書 **保証書付き** (日本国内向け)

- 取扱説明書をよくお読みのうえ、正しく安全にお使いください。
- ご使用前に「安全上のご注意」(36～39ページ)を必ずお読みください。
- 保証書は「お買い上げ日・販売店名」などの記入を確かめ、取扱説明書とともに大切に保管してください。

日本語



DHQX1459ZA/P1

Printed in China DHQX1459ZA/P1 C0218-0

For U.S.A.

Federal Communications Commission Radio Frequency Interference Statement

Note:

- This equipment has been tested and found to comply with the limits for a Class A digital device, pursuant to part 15 of the FCC Rules. These limits are designed to provide reasonable protection against harmful interference when the equipment is operated in a commercial environment. This equipment generates, uses, and can radiate radio frequency energy and, if not installed and used in accordance with the instruction manual, may cause harmful interference to radio communications. Operation of this equipment in a residential area is likely to cause harmful interference in which case the user will be required to correct the interference at his own expense.

Warning:

- Any changes or modifications not expressly approved by the party responsible for compliance could void the user's authority to operate this equipment.

This device complies with Part 15 of the FCC Rules. Operation is subject to the following two conditions:

1. This device may not cause harmful interference, and
2. This device must accept any interference received, including interference that may cause undesired operation.

Responsible party

Panasonic Corporation of North America
Two Riverfront Plaza, Newark, NJ 07102, USA
Support contact: <http://business.panasonic.com/support-computerstables>

For Europe

Declaration of Conformity (DoC)

"Hereby, Panasonic declares that this 5-Bay Charge only Cradle is in compliance with the essential requirements and other relevant provisions of EU Council Directives."

Authorised Representative:
Panasonic Testing Centre
Panasonic Marketing Europe GmbH
Winsbergring 15, 22525 Hamburg, Germany

Warning: This equipment is compliant with Class A of CISPR 32. In a residential environment this equipment may cause radio interference.

Disposal of Old Equipment

Only for European Union and countries with recycling systems



This symbol on the products, packaging, and/or accompanying documents means that used electrical and electronic products must not be mixed with general household waste.

For proper treatment, recovery and recycling of old products, please take them to applicable collection points in accordance with your national legislation.

By disposing of them correctly, you will help to save valuable resources and prevent any potential negative effects on human health and the environment. For more information about collection and recycling, please contact your local municipality.

Penalties may be applicable for incorrect disposal of this waste, in accordance with national legislation.


For UK

For your safety, please read the following text carefully.

This appliance is supplied with a molded three pin mains plug for your safety and convenience.

A 3 ampere fuse is fitted in this plug.

Should the fuse need to be replaced please ensure that the replacement fuse has a rating of 3 ampere and that it is approved by ASTA or BSI to BS1362.

Check for the ASTA mark  or the BSI mark  on the body of the fuse.

If the plug contains a removable fuse cover you must ensure that it is refitted when the fuse is replaced.

If you lose the fuse cover the plug must not be used until a replacement cover is obtained. A replacement fuse cover can be purchased from your local dealer.

If the fitted molded plug is unsuitable for the socket outlet in your home then the fuse should be removed and the plug cut off and disposed of safely.

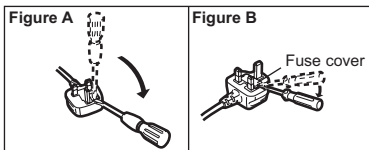
There is a danger of severe electrical shock if the cut off plug is inserted into any 13-ampere socket.

How to replace the fuse

The location of the fuse differs according to the type of AC mains plug (figures A and B).

Confirm the AC mains plug fitted and follow the instructions below. Illustrations may differ from actual AC mains plug.

Open the fuse cover with a screwdriver and replace the fuse and close or attach the fuse cover.



India Only

Declaration of Conformity with the requirements of the E-Waste (Management) Rules

The Product is in conformity with the requirements of the reduction of hazardous substances of the E-Waste Rules.

The content of hazardous substance with the exemption of the applications listed in SCHEDULE II of the E-waste Rules:

1. Lead (Pb) – not over 0.1 % by weight;
2. Cadmium (Cd) – not over 0.01 % by weight;
3. Mercury (Hg) – not over 0.1 % by weight;
4. Hexavalent chromium (Cr6+) – not over 0.1 % by weight;
5. Polybrominated biphenyls (PBBs) – not over 0.1 % by weight;
6. Polybrominated diphenyl ethers (PBDEs) – not over 0.1 % by weight.



For the purpose of recycling to facilitate effective utilization of resources, please return this product to a nearby authorized collection center, registered dismantler or recycler, or Panasonic service center when disposing of this product.

Please see the Panasonic website for further information on collection centers, etc. , or call the toll-free number below.

Website:

<http://www.panasonic.com/in/corporate/sustainability/panasonic-india-i-recycle-program.html>

Service helpline: 1800 103 1333 or 1800 108 1333

Contents

Introduction	page 6
Safety precautions	page 7
Handling and maintenance	page 9
Description of parts	page 10
Connections	page 11
Docking and removing the unit	page 12
Troubleshooting	page 13
Specifications	page 13

Introduction

This product is designed for use with the Panasonic FZ-N1 and FZ-F1 series (hereinafter referred to as "the unit") (as of February 2018).

Up to five units can be charged at the same time.

- Also thoroughly read the Operating Instructions of the unit.

Compatible batteries

- FZ-VZSUN110
- FZ-VZSUN120

Included accessories

- AC Adaptor (Model number CF-AA5713A) x 1
- AC Cord*1 x 1
- Operating Instructions (this document) x 1

*1 Do not use the supplied AC cord with any products other than CF-AA5713A.

Note:

- Some illustrations in this document may look different from the actual product. Also, the details of the descriptions may vary due to differences between the software versions of the unit.
- Information in this document is subject to change without notice.

Safety precautions

- **Charge only specified units or batteries.**
Charging unspecified units or batteries may result in electrolyte leakage, overheating, smoke, rupture, or a fire.
- **When using the product for extended periods, do not expose your skin to the AC adaptor for a prolonged period.**
Generated heat can cause low-temperature burns.
- **Do not disassemble, repair, or modify the product.**
Doing so may cause a short circuit or overheating, which may result in a fire or electric shock.
- **Do not insert foreign objects into the product.**
Doing so may cause a short circuit or overheating, which may result in a fire or electric shock.
- **Do not expose the product to water or other liquids.**
Doing so may cause a short circuit, generation of heat, overheating, or rupture, which may result in a fire, electric shock or injury.
 - If the product gets wet, immediately unplug the AC adaptor and AC plug, remove the unit, and then contact your technical support representative.
- **Do not touch the product, AC adaptor or cables during lightning storms if the product is connected to an AC adaptor.**
There is a remote chance of electric shock.
- **Immediately stop using the product if any of the following occurs.**
 - **Product is damaged**
 - **Water or foreign objects enter the product**
 - **Product emits smoke**
 - **Product emits unusual smell or sound**
 - **Product becomes unusually hot**Continuing use may result in fire or electric shock. Immediately unplug the AC plug, remove the unit, and then contact your technical support representative.
- **Do not do anything that may damage the AC cord, the AC plug, or the AC adaptor.**
Do not damage or modify the cord, place it near hot tools, bend, twist, or pull it forcefully, place heavy objects on it, or bundle it tightly.
Continuing to use a damaged cord, plug or AC adaptor may result in a fire, or electric shock.
 - Contact your technical support representative if any malfunction occurs.
- **Clean dust and other debris on the AC plug regularly.**
If dust or other debris accumulates on the plug, humidity, etc. may cause a defect in the insulation, which may result in a fire.
 - Pull the plug, and wipe it with a dry cloth.
 - Pull the plug if the product is not being used for a long period of time.

- **Insert the AC plug completely.**

If the plug is not inserted completely, fire due to overheating or electric shock may result.

- Do not use a damaged plug or loose AC outlet.

- **Do not pull or insert the AC plug if your hands are wet.**

Electric shock may result.

- **Do not connect the AC adaptor to a power source other than a standard household AC outlet.**

Otherwise, a fire due to overheating may result. Connecting to a DC/AC converter (inverter) may damage the AC adaptor. On an airplane, only connect the AC adaptor/charger to an AC outlet specifically approved for such use.

- **Do not allow conductive materials such as metal objects to touch the bus connector terminals. Also, do not touch the terminals with your hands.**

This may result in a fire, burn, or electric shock.

- **Do not leave the product in areas with a high concentration of moisture, steam, dust, oily vapors, etc.**

Foreign material that enters the product may cause a fire or electric shock.

- **Do not move the product while the AC plug is connected.**

The AC cord may be damaged, resulting in a fire or electric shock.

- If the AC cord is damaged, unplug the AC plug immediately.

- **Do not subject the AC adaptor to any strong impact.**

Using the AC adaptor after a strong impact such as being dropped may result in a fire or electric shock.

- Contact your technical support representative if any malfunction occurs.

- **Make sure not to charge the product when it is used with a wet unit.**

This may result in a fire or electric shock.

- **Do not leave the product in extremely high temperature environments for an extended period.**

Leaving the product where it will be exposed to extremely high temperatures, such as near fire or in direct sunlight, may deform the product or cause damage or malfunction to its internal components. Using the product in these conditions may cause short circuit, insulation defects, etc., which may in turn cause a fire or electric shock.

- **Do not place the product on an unstable surface.**

The product may drop, resulting in an injury.

- **Use only specified AC adaptors and the supplied AC cord.**

Use of unspecified AC adaptors or AC cords may result in a fire or electric shock.

- **When cleaning the product or if you will not use it for a long period of time, unplug the AC plug for your safety.**

Failure to do so may result in a fire or electric shock.

- **Hold the plug when unplugging the AC plug.**

Pulling on the cord may damage the cord, resulting in a fire or electric shock.

Handling and maintenance

Obey the following to ensure proper use and operation of this product.

Operating environment

- Place the product on a flat, stable surface.
- Do not leave the product in places under direct sunlight or around heating appliances.
- Using this product continuously in a hot environment will shorten the product life. Avoid use in these types of environments.

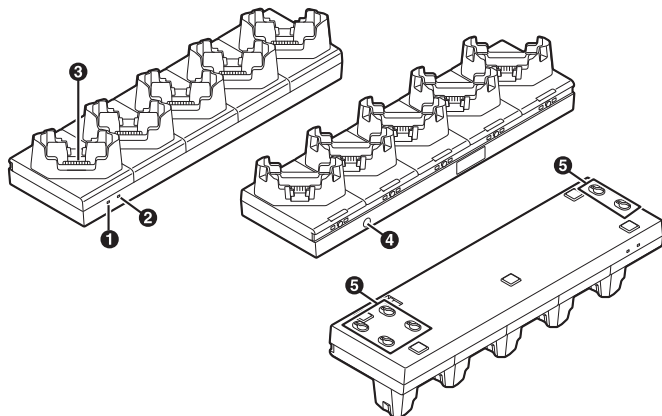
Handling cautions


- Do not drop the product or subject it to impacts. Doing so may cause malfunctions or damage.
- If the unit you are using with the product is wet, remove the water by wiping off the moisture, and thoroughly dry the unit before docking it in the product.

Maintenance

- Always disconnect the AC adaptor before cleaning the product.
- Clean the product with a soft, dry cloth.
 - Do not clean the product with solvents such as benzene, thinner, alcohol, or kitchen detergent because they may affect the surface of the product.
- If the bus connector terminals are dirty, battery charging may not be possible. Clean them with a soft, dry cloth.
- Be careful not to bend the bus connector terminals.

Description of parts



- 1 Power indicator ()**
Green, lit: Power on
Off: Power off
- 2 Function indicator (not used for this product)**
- 3 Bus connector terminals**
Supplies power to the unit.
- 4 DC input jack**
Allows you to connect an AC adaptor to the product.
- 5 Positioning hole**
Allows you to hook and fix the product onto studs for installation on flat bases.

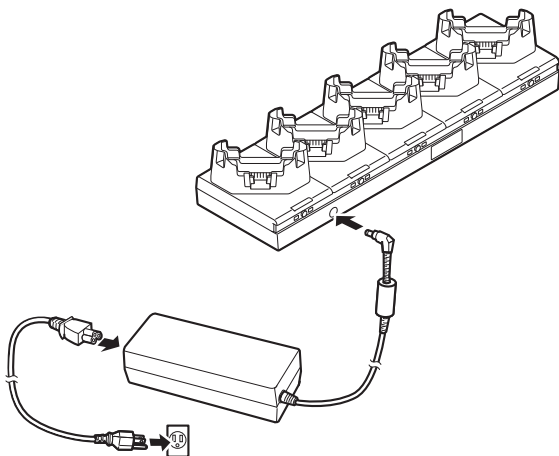
Explanation of graphical symbol on nameplate

 : Alternating current

 : Direct current

Connections

Connect the AC adaptor as shown below.



- The AC cord may vary depending on the country.

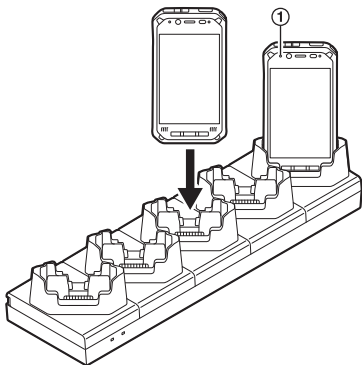
Note:

- The AC adaptor must be connected to use the product.

Docking and removing the unit

Dock the unit as shown below. Make sure the unit is inserted fully into the product.

- When the unit is docked, the unit's indicator (①) lights in orange while the battery is charging, and lights in green when charging is complete. For more about the charging time, refer to the Operating Instructions of the unit.
- Charge the battery in environments with an ambient temperature of 10 °C to 35 °C (50 °F to 95 °F).



To remove the unit, pull out the unit straight in the direction opposite of that when it was inserted.

Troubleshooting

If you experience any trouble while using this product, refer to the following information for basic troubleshooting. If the trouble persists, contact your technical support representative.

The unit does not charge.	<ul style="list-style-type: none">● The unit is not properly inserted. Make sure it is inserted properly.● The AC adaptor is not properly connected. Confirm the connection.● The terminals are dirty. Clean the terminals.● The ambient temperature is too low or too high. Charge the battery in environments with an ambient temperature of 10 °C to 35 °C (50 °F to 95 °F).
Charging ends quickly or does not occur at all.	<ul style="list-style-type: none">● The battery may be worn out. Replace the battery with a new one.

Specifications

Power supply input	15.6 V DC, 7.05 A
Dimensions (W × D × H)	Approx. 400 mm × 115 mm × 80 mm (15.8 in. × 4.6 in. × 3.2 in.) (excluding protrusions)
Weight	Approx. 1.2 kg (2.5 lb)
Operating environment	10 °C to 35 °C (50 °F to 95 °F) 30 % to 80 % RH
AC adaptor*1	Input: 100 V to 240 V AC, 50 Hz/60 Hz Output: 15.6 V DC, 7.05 A

*1 <Only for North America> The AC adaptor is designed for use with power sources that supply up to 240 V AC. The AC cord supplied with the AC adaptor is designed for use with power sources that supply up to 125 V AC.

Für Europa

Konformitätserklärung

„Hiermit erklärt Panasonic, dass dieser Cradle für 5 Akkus nur Laden die wichtigsten Auflagen und andere relevante Bestimmungen der zutreffenden EU-Direktiven erfüllt.“

Autorisierter Vertreter:
Panasonic Testing Centre
Panasonic Marketing Europe GmbH
Winsbergring 15, 22525 Hamburg, Deutschland

<p>Warnung: Dieses Gerät entspricht Klasse A der CISPR 32. In einer Wohnumgebung kann dieses Gerät Funkstörungen verursachen.</p>
--

Entsorgung von Altgeräten

Nur für die Europäische Union und Länder mit Recyclingsystemen



Dieses Symbol, auf den Produkten, der Verpackung und/oder den Begleitdokumenten, bedeutet, dass gebrauchte elektrische und elektronische Produkte nicht in den allgemeinen Hausmüll gegeben werden dürfen.

Bitte führen Sie alte Produkte zur Behandlung, Aufarbeitung bzw. zum Recycling gemäß den gesetzlichen Bestimmungen den zuständigen Sammelpunkten zu.

Indem Sie diese Produkte ordnungsgemäß entsorgen, helfen Sie dabei, wertvolle Ressourcen zu schützen und eventuelle negative Auswirkungen auf die menschliche Gesundheit und die Umwelt zu vermeiden. Für mehr Informationen zu Sammlung und Recycling, wenden Sie sich bitte an Ihren örtlichen Abfallentsorgungsdienstleister.

Gemäß Landesvorschriften können wegen nicht ordnungsgemäßer Entsorgung dieses Abfalls Strafgerichte verhängt werden.

Inhalt

Einführung	Seite 15
Sicherheitsvorkehrungen	Seite 16
Handhabung und Wartung	Seite 19
Teilebezeichnung	Seite 20
Anschlüsse	Seite 21
Einsetzen des Geräts in den Cradle und Entfernen	Seite 22
Fehlerbehebung	Seite 23
Technische Daten	Seite 24

Einführung

Dieses Produkt ist für die Verwendung mit den Panasonic-Serien FZ-N1 und FZ-F1 konzipiert (nachstehend als „das Gerät“ bezeichnet) (ab Februar 2018).

Bis zu fünf Geräte können gleichzeitig geladen werden.

- Lesen Sie auch die Betriebsanleitung des Geräts sorgfältig durch.

Verwendbare Akkus

- FZ-VZSUN110
- FZ-VZSUN120

Zubehör im Lieferumfang

- Netzteil (Modell-Nr. CF-AA5713A) x 1
- Netzkabel*¹ x 1
- Betriebsanleitung (das vorliegende Dokument) x 1

*¹ Verwenden Sie das beiliegende Netzkabel ausschließlich mit dem Produkt CF-AA5713A.

Hinweis:

- Einige Abbildungen in diesem Dokument können vom tatsächlichen Produkt abweichen. Es ist möglich, dass die Beschreibungen in Einzelheiten voneinander abweichen. Der Grund hierfür sind unterschiedliche Software-Versionen des Geräts.
- Die Informationen in diesem Dokument können ohne vorherige Ankündigung geändert werden.

Sicherheitsvorkehrungen

- **Laden Sie nur geeignete Geräte oder Akkus.**
Das Laden von ungeeigneten Geräten oder Akkus kann Elektrolytaustritt, Überhitzung, Rauchentwicklung, Explosion oder Feuer zur Folge haben.
- **Achten Sie bei Verwendung des Produkts über längere Zeit darauf, dass Ihre Haut nicht für längere Zeit mit dem Netzteil in Berührung kommt.**
Durch Wärmeentwicklung kann es zu Verbrennungen kommen.
- **Versuchen Sie nicht, das Produkt zu zerlegen, zu reparieren oder anderweitig modifizierende Eingriffe an ihm vorzunehmen.**
Dies kann sonst zu einem Kurzschluss oder einer Überhitzung führen, was wiederum einen Brand oder elektrischen Schlag nach sich ziehen kann.
- **Führen Sie keine Fremdkörper in das Produkt ein.**
Dies kann sonst zu einem Kurzschluss oder einer Überhitzung führen, was wiederum einen Brand oder elektrischen Schlag nach sich ziehen kann.
- **Setzen Sie das Produkt weder Wasser noch anderen Flüssigkeiten aus.**
Andernfalls kann es durch Kurzschluss, Wärmeentwicklung, Überhitzung oder Explosion zu Bränden, Stromschlag oder Verletzungen kommen.
 - Wenn das Produkt nass wird, trennen Sie sofort das Netzteil und den Netzstecker, entfernen Sie das Gerät, und setzen Sie sich mit einem Vertreter des technischen Kundendienstes vor Ort in Verbindung.
- **Berühren Sie das Produkt, das Netzteil oder die Kabel nicht während eines Unwetters, wenn das Produkt mit einem Netzteil verbunden ist.**
Es besteht die geringe Gefahr eines elektrischen Schlags.
- **Verwenden Sie das Produkt bei Eintritt eines der folgenden Fälle unter keinen Umständen weiter:**
 - Das Produkt ist beschädigt
 - Wasser oder Fremdkörper sind in das Produkt eingedrungen
 - Aus dem Produkt entweicht Rauch
 - Das Produkt verursacht einen ungewöhnlichen Geruch oder ungewöhnliche Geräusche
 - Das Produkt erhitzt sich übermäßig

Die fortgesetzte Verwendung des Produkts kann zu einem Brand oder elektrischen Schlag führen. Ziehen Sie den Netzstecker sofort aus der Steckdose, entfernen Sie das Gerät und kontaktieren Sie einen Vertreter des technischen Kundendienstes vor Ort.

-
- **Tun Sie nichts, was dem Netzkabel, dem Netzstecker oder dem Netzteil schaden könnte.**
Beschädigen oder verändern Sie das Kabel nicht, bringen Sie es nicht in die Nähe von heißen Werkzeugen, biegen oder verdrehen Sie es nicht, ziehen Sie nicht gewaltsam daran, stellen Sie keine schweren Gegenstände darauf und wickeln Sie es nicht zu eng zusammen.
Wird ein beschädigtes Netzkabel, ein beschädigter Netzstecker oder ein beschädigtes Netzteil weiterverwendet, kann es zu einem Brand oder elektrischen Schlag kommen.
 - Kontaktieren Sie bei Fehlfunktionen einen Vertreter des technischen Kundendienstes vor Ort.
 - **Reinigen Sie den Netzstecker regelmäßig von Staub und anderen Rückständen.**
Wenn sich Staub oder andere Rückstände auf dem Stecker ansammeln, kann es durch Feuchtigkeit usw. zu Schäden an der Isolierung kommen und dadurch zu Bränden.
 - Ziehen Sie den Stecker ab und wischen Sie ihn mit einem trockenen Tuch ab.
 - Ziehen Sie den Netzstecker des Geräts, wenn es über längere Zeit nicht verwendet wird.
 - **Den Netzstecker vollständig einstecken.**
Wenn der Stecker nicht vollständig eingesteckt ist, kann es durch Überhitzung zu Bränden oder zu elektrischen Schlägen kommen.
 - Verwenden Sie keine beschädigten Stecker oder lockere Steckdosen.
 - **Das Ein- oder Ausstecken des Netzsteckers darf nicht mit nassen Händen erfolgen.**
Andernfalls kann es zu elektrischen Schlägen kommen.
 - **Schließen Sie das Netzteil auf keinen Fall an einer anderen Stromquelle als einer normalen Wechselstromsteckdose an.**
Andernfalls kann es durch Überhitzung zu Bränden kommen. Durch Anschluss an einen DC/AC-Wandler (Wechselrichter) kann das Netzteil beschädigt werden. Schließen Sie in einem Flugzeug das Netzteil/Ladegerät nur an eine Wechselstromsteckdose an, die für eine derartige Verwendung zugelassen ist.
 - **Elektrisch leitfähige Materialien wie z. B. metallene Gegenstände dürfen nicht mit den Bus-Anschlusskontakten in Berührung kommen. Berühren Sie die Akkuladkontakte niemals mit bloßen Händen.**
Dies kann zu einem Brand, Verbrennungen oder einem elektrischen Schlag führen.
 - **Lassen Sie das Produkt nicht in Bereichen mit hoher Konzentration an Feuchtigkeit, Dampf, Staub, Öldämpfen usw.**
Das Eindringen von Fremdkörpern in das Gerät kann zu einem Brand oder elektrischen Schlag führen.
 - **Bewegen Sie das Gerät nicht, solange es mit dem Netzstecker verbunden ist.**
Das Netzkabel kann beschädigt sein, was zu einem Brand oder elektrischen Schlag führen kann.
 - Bei beschädigtem Netzkabel den Netzstecker sofort ausstecken.
 - **Setzen Sie das Netzteil keinen starken Stößen aus.**
Die Verwendung des Netzteils nach einer heftigen Außeneinwirkung wie beispielsweise einem Fall kann zu einem Brand oder elektrischen Schlag führen.
 - Kontaktieren Sie bei Fehlfunktionen einen Vertreter des technischen Kundendienstes vor Ort.
-

-
- **Laden Sie das Produkt auf keinen Fall, wenn das Gerät nass ist.**
Dies kann zu einem Brand oder elektrischen Schlag führen.
 - **Setzen Sie das Produkt nicht über einen längeren Zeitraum Umgebungen mit extrem hohen Temperaturen aus.**
Wird das Produkt extrem hohen Temperaturen ausgesetzt, zum Beispiel in der Nähe von Feuer oder in direktem Sonnenlicht, kann es sich verformen oder es können Beschädigungen oder Fehlfunktionen der inneren Komponenten verursacht werden. Die Verwendung des Produkts unter diesen Bedingungen kann zu Kurzschlüssen, Isolationsfehlern usw. führen, die wiederum einen Brand oder elektrischen Schlag verursachen können.
 - **Stellen Sie dieses Produkt nicht auf einer instabilen Oberfläche auf.**
Das Produkt kann herunterfallen und Verletzungen verursachen.
 - **Verwenden Sie ausschließlich geeignete Netzteile und das mitgelieferte Netzkabel.**
Durch Verwendung von ungeeigneten Netzteilen oder Netzkabeln kann es zu einem Brand oder elektrischen Schlag kommen.
 - **Wenn Sie das Produkt reinigen oder es für eine längere Zeit nicht verwenden, ziehen Sie zu Ihrer eigenen Sicherheit den Netzstecker.**
Eine Nichtbeachtung kann zu einem Brand oder elektrischen Schlag führen.
 - **Beim Herausziehen des Netzsteckers am Stecker ziehen.**
Durch Ziehen am Kabel kann das Kabel beschädigt werden und es kann zu einem Brand oder elektrischen Schlag kommen.

Handhabung und Wartung

Beachten Sie folgende Hinweise zur richtigen Verwendung und Bedienung dieses Produkts.

Betriebsumgebung

- Stellen Sie das Produkt auf einer ebenen, stabilen Oberfläche auf.
- Setzen Sie das Produkt nicht der direkten Sonneneinstrahlung aus und lassen Sie es nicht in der unmittelbaren Nähe von Wärmequellen stehen.
- Verwendung dieses Produkts in einer durchgehend heißen Umgebung verkürzt die Produktlebensdauer. Die Verwendung in solchen Umgebungen vermeiden.

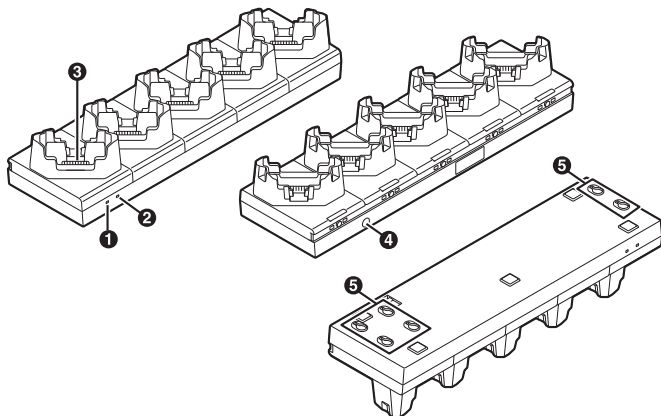
Vorsichtsmaßnahmen für die Handhabung

- Lassen Sie das Produkt nicht fallen und setzen Sie es keinen starken Außeneinwirkungen aus. Dies kann zu Fehlfunktionen und Schäden führen.
- Wenn Sie ein nasses Gerät zusammen mit dem Produkt verwenden, entfernen Sie das Wasser durch Abwischen der Feuchtigkeit und lassen Sie das Gerät gründlich trocknen, bevor Sie es an das Produkt anschließen.

Wartung

- Trennen Sie immer die Verbindung mit dem Netzadapter, bevor Sie das Produkt reinigen.
- Reinigen Sie das Produkt mit einem weichen, trockenen Tuch.
 - Verwenden Sie zur Reinigung des Produkts keine Lösungsmittel wie Benzol, Verdünnungsmittel, Alkohol oder Küchenreinigungsmittel, weil dadurch die Oberflächen des Produkts beschädigt werden können.
- Bei Verschmutzung der Anschlusskontakte ist ein Laden des Akkus unter Umständen nicht möglich. Reinigen Sie sie mit einem weichen, trockenen Tuch.
- Achten Sie darauf, die Bus-Anschlusskontakte nicht zu verbiegen.

Teilebezeichnung



1 Netzanzeige (Ⓛ)

Grün, leuchtet: Gerät eingeschaltet
Aus: Gerät ausgeschaltet

2 Betriebsanzeige (bei diesem Produkt nicht belegt)

3 Bus-Anschlusskontakte

Zur Stromversorgung des Geräts.

4 DC-Eingangsbuchse

Zur Verbindung des Netzsteckers mit dem Produkt.

5 Montageloch

Ermöglicht das Einhängen und Fixieren des Produkts an Schrauben, um es auf flachem Untergrund zu befestigen.

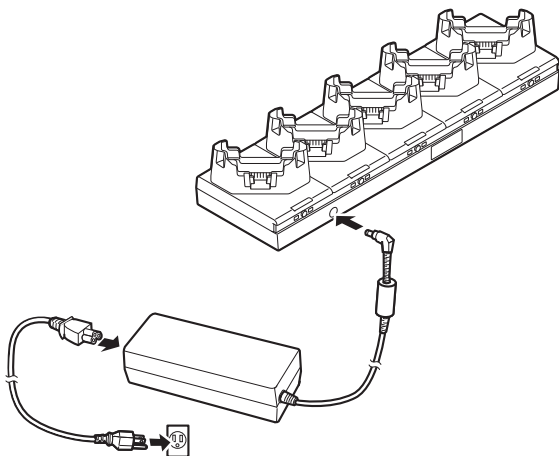
Erklärung des grafischen Symbols auf dem Bezeichnungsschild

~ : Wechselstrom

— : Gleichstrom

Anschlüsse

Schließen Sie das Netzteil wie nachfolgend gezeigt an.



- Das Netzkabel kann von Land zu Land unterschiedlich sein.

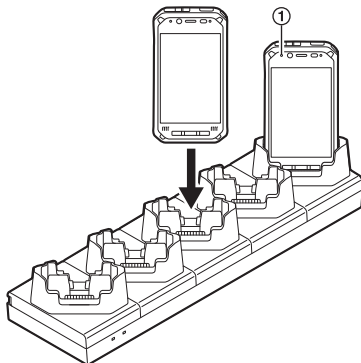
Hinweis:

- Das Netzteil muss angeschlossen sein, damit das Produkt verwendet werden kann.

Einsetzen des Geräts in den Cradle und Entfernen

Setzen Sie das Gerät wie nachfolgend gezeigt in den Cradle ein. Überprüfen Sie, ob das Gerät vollständig in das Produkt eingeführt wurde.

- Wenn das Gerät eingesetzt ist, leuchtet die Geräteanzeige (①) während des Ladevorgangs orange und nach Beendigung des Ladevorgangs grün. Weiter Informationen zur Ladedauer finden Sie in der Betriebsanleitung des Geräts.
- Das Laden des Akkus sollte bei Umgebungstemperaturen zwischen 10 °C und 35 °C erfolgen.



Ziehen Sie zum Entfernen des Geräts das Gerät in die entgegengesetzte Richtung, in der es eingesetzt wurde, heraus.

Fehlerbehebung

Falls während der Verwendung dieses Produkts Probleme auftreten, finden Sie im Folgenden Informationen zur einfachen Fehlerbehebung. Falls das Problem weiterhin auftritt, wenden Sie sich an Ihren Vertreter des technischen Kundendienstes.

Das Gerät wird nicht geladen.	<ul style="list-style-type: none">● Das Gerät ist nicht richtig eingesetzt. Überprüfen Sie, ob sie korrekt eingesetzt wurden.● Das Netzteil ist nicht richtig angeschlossen. Prüfen Sie die Verbindung.● Die Anschlusskontakte sind verschmutzt. Reinigen Sie die Kontakte.● Die Umgebungstemperatur ist zu niedrig oder zu hoch. Das Laden des Akkus sollte bei Umgebungstemperaturen zwischen 10 °C und 35 °C erfolgen.
Der Ladevorgang endet schnell oder wird gar nicht durchgeführt.	<ul style="list-style-type: none">● Der Akku ist möglicherweise verbraucht. Durch einen neuen ersetzen.

Technische Daten

Stromversorgung	15,6 V DC, 7,05 A
Abmessungen (B x T x H)	Ca. 400 mm x 115 mm x 80 mm (ohne vorstehende Teile)
Gewicht	Ca. 1,2 kg
Betriebsumgebung	10 °C bis 35 °C 30 % bis 80 % RH
Netzteil*1	Eingang: 100 V bis 240 V AC, 50 Hz/60 Hz Ausgang: 15,6 V DC, 7,05 A

*1 <Nur für Nordamerika> Das Netzteil ist für den Einsatz mit Stromquellen für bis zu 240 V AC ausgelegt. Das mit dem Netzteil gelieferte Netzkabel ist zur Verwendung mit einer Stromversorgung mit bis zu 125 V AC vorgesehen.

Pour l'Europe

Déclaration de conformité

"Panasonic déclare par la présente que cette Station d'accueil de charge uniquement (5 baies) est conforme aux exigences fondamentales et autres dispositions pertinentes prévues par les Directives du Conseil de l'UE."

Représentant agréé :
Panasonic Testing Centre
Panasonic Marketing Europe GmbH
Winsbergring 15, 22525 Hamburg, Allemagne

Avertissement : cet équipement est conforme à la catégorie A de la norme CISPR 32. Il peut générer des interférences radio dans un environnement résidentiel.

L'élimination des équipements usagés

Applicable uniquement dans les pays membres de l'Union européenne et les pays disposant de systèmes de recyclage.



Apposé sur le produit lui-même, sur son emballage, ou figurant dans la documentation qui l'accompagne, ce pictogramme indique que les appareils électriques et électroniques usagés, doivent être séparés des ordures ménagères.

Afin de permettre le traitement, la valorisation et le recyclage adéquats des appareils usagés, veuillez les porter à l'un des points de collecte prévus, conformément à la législation nationale en vigueur.

En les éliminant conformément à la réglementation en vigueur, vous contribuez à éviter le gaspillage de ressources précieuses ainsi qu'à protéger la santé humaine et l'environnement. Pour de plus amples renseignements sur la collecte et le recyclage, veuillez vous renseigner auprès des collectivités locales.

Le non-respect de la réglementation relative à l'élimination des déchets est passible d'une peine d'amende.

Table des matières

Introduction	page 26
Précautions de sécurité	page 27
Manipulation et entretien	page 29
Description des composants	page 30
Connexions	page 31
Installation/retrait de l'unité dans/de la station d'accueil	page 32
Dépannage	page 33
Caractéristiques techniques	page 34

Introduction

Ce produit est conçu pour être utilisé avec la gamme Panasonic FZ-N1 et FZ-F1 (ci-après dénommée "l'unité") (à compter de février 2018).

Il est possible de charger jusqu'à cinq unités à la fois.

- Lisez également attentivement les Instructions d'utilisation de l'unité.

Batteries compatibles

- FZ-VZSUN110
- FZ-VZSUN120

Accessoires fournis

- Adaptateur secteur (numéro de modèle CF-AA5713A) x 1
- Cordon secteur*1 x 1
- Instructions d'utilisation (le présent document) x 1

*1 N'utilisez pas le cordon secteur fourni avec d'autres produits que le CF-AA5713A.

Remarques :

- Sur certaines illustrations de ce document, le produit peut avoir un aspect différent du produit réel. De même, les détails des descriptions peuvent varier en raison de différences entre les versions du logiciel de l'unité.
- Les informations du présent document peuvent être modifiées sans notification.

Précautions de sécurité

- **Chargez uniquement les unités ou les batteries indiquées.**
La charge d'unités ou de batteries non indiquées peut entraîner une fuite d'électrolyte, une surchauffe, de la fumée, une rupture ou un incendie.
- **Lors de l'utilisation prolongée de ce produit, n'exposez pas votre peau à l'adaptateur secteur pendant une période prolongée.**
La chaleur générée peut causer des brûlures à basse température.
- **Veillez à ne pas démonter, réparer ou modifier le produit.**
Cela peut causer un court-circuit ou une surchauffe, qui peut entraîner un incendie ou une décharge électrique.
- **N'insérez pas de corps étrangers dans le produit.**
Cela peut causer un court-circuit ou une surchauffe, qui peut entraîner un incendie ou une décharge électrique.
- **N'exposez pas le produit à de l'eau ou d'autres liquides.**
Cela pourrait entraîner un court-circuit, générer de la chaleur, une surchauffe ou une rupture, qui pourrait occasionner un incendie, une décharge électrique ou des blessures.
 - Si le produit est mouillé, débranchez immédiatement l'adaptateur et la fiche secteur, retirez l'unité, puis contactez le représentant de l'assistance technique.
- **Ne touchez pas le produit, l'adaptateur secteur ou les câbles en cas d'orage si le produit est connecté à un adaptateur secteur.**
Il y a un risque minime de décharge électrique.
- **Cessez immédiatement d'utiliser le produit si l'un des événements suivants survient.**
 - Le produit est endommagé.
 - De l'eau ou des corps étrangers ont pénétré dans le produit.
 - Le produit émet de la fumée.
 - Le produit émet une odeur ou un bruit inhabituel.
 - Le produit devient excessivement chaud.

Le fait de continuer à utiliser le produit peut entraîner un incendie ou une décharge électrique. Débranchez immédiatement la fiche secteur, retirez l'unité, puis contactez le représentant de l'assistance technique.
- **Vous ne devez rien faire qui peut endommager le cordon secteur, la fiche secteur ou l'adaptateur secteur.**
Vous ne devez pas endommager ou modifier le cordon, le placer à proximité d'outils chauds, le plier, le tordre ou le tirer avec force, placer des objets lourds dessus ou le serrer trop fort.
Le fait de continuer à utiliser un cordon, une fiche ou un adaptateur secteur endommagé peut entraîner un incendie ou une décharge électrique.
 - Contactez le représentant de l'assistance technique en cas d'anomalie de fonctionnement.

- **Nettoyez régulièrement la poussière et autres débris présents sur la fiche secteur.**

Si de la poussière ou d'autres débris s'accumulent sur la fiche, l'humidité, etc. peut entraîner un défaut d'isolation, ce qui peut provoquer un incendie.

- Débranchez la fiche et nettoyez-la avec un chiffon sec.
- Débranchez la fiche si le produit n'est pas utilisé pendant une période de temps prolongée.

- **Insérez complètement la fiche secteur.**

Si la fiche n'est pas complètement insérée, cela peut entraîner un incendie causé par la surchauffe ou une décharge électrique.

- N'utilisez pas une fiche endommagée ou une prise secteur desserrée.

- **Vous ne devez pas tirer ou insérer la fiche secteur avec les mains mouillées.**

Cela peut entraîner une décharge électrique.

- **Ne connectez pas l'adaptateur secteur à une source d'alimentation autre qu'une prise secteur domestique standard.**

Le non-respect de cette consigne peut entraîner un incendie causé par la chaleur. La connexion d'un convertisseur c.c./c.a. (onduleur) peut endommager l'adaptateur secteur. En avion, connectez uniquement le chargeur/l'adaptateur secteur à une prise secteur spécialement conçue pour cet usage.

- **Ne laissez pas de matériaux conducteurs tels que des objets en métal entrer en contact avec les bornes du connecteur de bus. De même, ne touchez pas les bornes avec les mains.**

Cela peut entraîner un incendie, des brûlures ou une décharge électrique.

- **Ne laissez pas le produit dans des endroits exposés à une forte concentration d'humidité, de vapeur, de poussière, de fumées grasses ou autre.**

La présence de corps étrangers dans le produit peut entraîner un incendie ou une décharge électrique.

- **Ne déplacez pas le produit alors que la fiche secteur est branchée.**

Le cordon secteur peut être endommagé, ce qui peut entraîner un incendie ou une décharge électrique.

- Si le cordon secteur est endommagé, débranchez immédiatement la fiche secteur.

- **Ne soumettez pas l'adaptateur secteur à de forts impacts.**

L'utilisation d'un adaptateur secteur soumis à un fort impact (une chute, par exemple) peut entraîner un incendie ou une décharge électrique.

- Contactez le représentant de l'assistance technique en cas d'anomalie de fonctionnement.

- **Veillez à ne pas charger le produit lorsqu'il est utilisé avec une unité humide.**

Cela peut entraîner un incendie ou une décharge électrique.

- **Ne laissez pas le produit dans des environnements à très hautes températures pendant des périodes de temps prolongées.**

L'exposition du produit à des températures extrêmement élevées (à proximité d'un feu ou à la lumière directe du soleil, par exemple) peut le déformer ou entraîner des dommages ou des dysfonctionnements au niveau de ses composants internes. L'utilisation du produit dans de telles conditions peut entraîner un court-circuit, des défauts d'isolation, etc., qui peuvent à leur tour causer un incendie ou une décharge électrique.

-
- **Ne placez pas le produit sur une surface instable.**
Le produit peut tomber et causer des blessures.
 - **Utilisez uniquement les adaptateurs secteur indiqués et le cordon secteur fourni.**
L'utilisation d'adaptateurs secteur ou de cordons secteur non indiqués peut entraîner un incendie ou une décharge électrique.
 - **Lors du nettoyage du produit ou si vous ne l'utilisez pas pendant une période de temps prolongée, débranchez la fiche secteur pour votre sécurité.**
Le non-respect de cette consigne peut entraîner un incendie ou une décharge électrique.
 - **Tenez la fiche secteur lorsque vous la débranchez.**
Si vous tirez la fiche par le cordon, vous risquez de l'endommager, ce qui peut entraîner un incendie ou une décharge électrique.

Manipulation et entretien

Suivez les consignes ci-après pour garantir une utilisation correcte du produit.

Environnement d'utilisation

- Placez le produit sur une surface plane et stable.
- Ne laissez pas le produit dans des lieux exposés à la lumière directe du soleil ou à proximité d'appareils de chauffage.
- L'utilisation de ce produit dans un endroit soumis à une température constamment élevée diminue la durée de vie du produit. Évitez de l'utiliser dans ce type d'environnement.

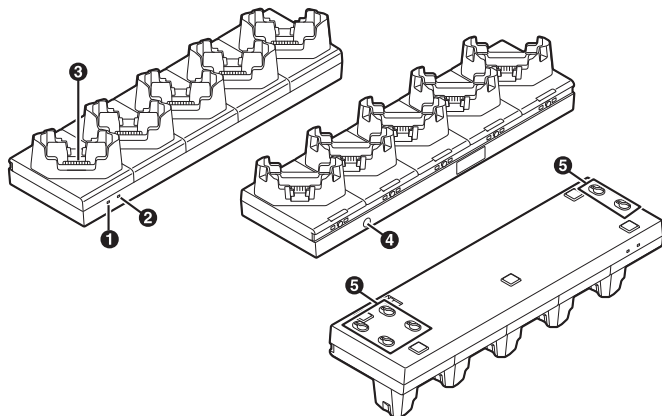
Précautions de manipulation

- Ne faites pas tomber le produit et ne le soumettez pas à des chocs. Cela peut entraîner des anomalies de fonctionnement ou des dommages.
- Si l'unité que vous utilisez avec le produit est mouillée, retirez l'eau en essuyant l'humidité et séchez bien l'unité avant de l'installer dans le produit.

Entretien

- Veillez à toujours débrancher l'adaptateur secteur avant de nettoyer le produit.
- Nettoyez le produit à l'aide d'un chiffon sec et doux.
 - Ne nettoyez pas le produit à l'aide de solvants tels que du benzène, du diluant, de l'alcool ou du détergent ménager, cela peut affecter la surface du produit.
- Si les bornes du connecteur de bus sont sales, il se peut qu'il soit impossible de charger la batterie. Nettoyez-les à l'aide d'un chiffon sec et doux.
- Veillez à ne pas plier les bornes de connecteur de bus.

Description des composants



1 Voyant d'alimentation ()

Vert, allumé : sous tension
Éteint : hors tension

2 Indicateur de fonction (non utilisé pour ce produit)

3 Bornes de connecteur de bus

Permettent d'alimenter l'unité.

4 Prise d'entrée CC

Permet de connecter un adaptateur secteur au produit.

5 Orifice de positionnement

Vous permet d'accrocher et de fixer le produit sur des goujons pour l'installation sur des bases plates.

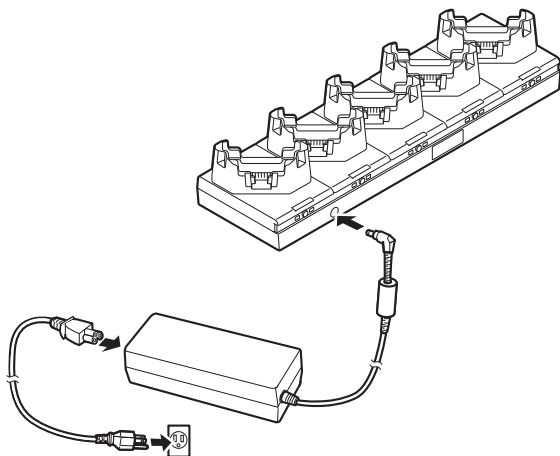
Explication du symbole graphique sur la plaque d'identification

 : Courant alternatif

 : Courant continu

Connexions

Connectez l'adaptateur secteur comme illustré ci-dessous.



- Le cordon secteur peut varier selon le pays.

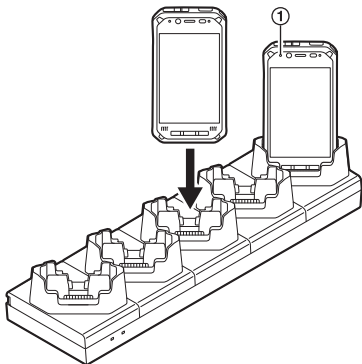
Remarques :

- Vous devez connecter l'adaptateur secteur pour utiliser le produit.

Installation/retrait de l'unité dans/de la station d'accueil

Installez l'unité dans la station d'accueil comme illustré ci-dessous. Assurez-vous que l'unité est complètement insérée dans le produit.

- Une fois l'unité dans la station d'accueil, le voyant de l'unité (①) s'allume en orange lorsque la batterie est en cours de chargement et en vert une fois le chargement terminé. Pour en savoir plus au sujet du temps de charge, reportez-vous aux Instructions d'utilisation de l'unité.
- Chargez la batterie dans des environnements dont la température ambiante est comprise entre 10 °C et 35 °C.



Pour retirer l'unité, tirez l'unité dans le sens opposé au sens d'insertion.

Dépannage

Si vous rencontrez un problème lors de l'utilisation de ce produit, reportez-vous aux informations suivantes pour un dépannage de base. Si le problème persiste, adressez-vous au représentant de l'assistance technique.

Impossible de charger l'unité.	<ul style="list-style-type: none">● L'unité n'est pas insérée correctement. Vérifiez qu'elle est correctement insérée.● L'adaptateur secteur n'est pas correctement connecté. Vérifiez la connexion.● Les bornes sont sales. Nettoyez les bornes.● La température ambiante est trop basse ou trop élevée. Chargez la batterie dans des environnements dont la température ambiante est comprise entre 10 °C et 35 °C.
La charge se termine rapidement ou n'a pas lieu du tout.	<ul style="list-style-type: none">● Il se peut que la batterie soit épuisée. Remplacez-la par une batterie neuve.

Caractéristiques techniques

Entrée d'alimentation	15,6 V CC, 7,05 A
Dimensions (L x P x H)	Environ 400 mm x 115 mm x 80 mm (hors parties saillantes)
Poids	Environ 1,2 kg
Environnement d'utilisation	10 °C à 35 °C 30 % à 80 % d'humidité relative
Adaptateur secteur*1	Entrée : 100 V à 240 V c.a., 50 Hz/60 Hz Sortie : 15,6 V CC, 7,05 A

- *1 <Uniquement pour l'Amérique du Nord> L'adaptateur secteur est conçu pour être utilisé avec des sources d'alimentation fournissant jusqu'à 240 V c.a. Le cordon secteur livré avec l'adaptateur secteur est conçu pour être utilisé avec des sources d'alimentation fournissant jusqu'à 125 V c.a.

もくじ

はじめに.....	35
安全上のご注意.....	36
取り扱いとお手入れ.....	40
各部の名称と働き.....	41
接続する.....	42
端末の取り付け/取り外し.....	43
困ったときのQ&A.....	44
仕様.....	45
保証とアフターサービス.....	45

はじめに

このたびは、パナソニック製品をお買い上げいただき、まことにありがとうございます。
本製品はパナソニックFZ-N1シリーズ（以降は「端末」と表記）専用
です（2018年2月現在）。

端末を同時に5台まで充電できます。

- 端末の取扱説明書もよく読んでお使いください。

■ 対応バッテリーパック

- FZ-VZSUN110
- FZ-VZSUN120

■ 付属品

- ACアダプター（品番 CF-AA5713A）×1
- 電源コード^{*1} ×1
- 取扱説明書（本書）×1

^{*1} 付属の電源コードは、CF-AA5713A以外の製品などに転用しないでください。

◆ お知らせ

- 本書のイラストは一部実際と異なる場合があります。また、端末のソフトウェアバージョンの違いにより、記載されている内容と差異が生じる場合があります。
- 本書の内容に関しましては、予告なく変更することがあります。

安全上のご注意 必ずお守りください

人への危害、財産の損害を防止するため、必ずお守りいただくことを説明しています。

- 誤った使い方をしたときに生じる危害や損害の程度を区分して、説明しています。



危険

「死亡や重傷を負うおそれ大きい内容」です。



警告

「死亡や重傷を負うおそれがある内容」です。



注意

「軽傷を負うことや、財産の損害が発生するおそれがある内容」です。

- お守りいただく内容を次の図記号で説明しています。(次は図記号の例です)



してはいけない内容です。



実行しなければならない内容です。

危険



禁止

指定の端末、バッテリーパック（35ページ）以外の充電には使用しない
バッテリーパックの漏液・発熱・発煙・破裂・発火の原因になります。

警告



禁止

長時間直接接触して使用しない

ACアダプターの温度の高い部分に直接接触したまま長時間連続使用すると、低温やけど※の原因になります。

※ 血流状態が悪い人（血管障害、血液循環不良、糖尿病、強い圧迫を受けている）や皮膚感覚が弱い人（高齢者）などは、低温やけどになりやすい傾向があります。



分解禁止

分解や修理、改造をしない

ショートや発熱により、火災・感電の原因になります。



禁止

異物を入れない

ショートや発熱により、火災・感電の原因になります。



水ぬれ禁止

水をかけたり、ぬらしたりしない

ショート・発熱・発火・破裂により、火災・感電・けがの原因になります。

● ぬれた場合は、直ちにACアダプター・電源プラグを抜き、端末を取り外して販売店にご相談ください。



接触禁止

ACアダプターを接続しているときに雷が鳴り始めたら、本機やACアダプター、電源コードに触れない

感電の原因になります。



異常・故障時には直ちに使用をやめる

異常が起きたら直ちに電源プラグを抜き、端末を外す

- ・ 破損した
- ・ 内部に水や異物が入った
- ・ 煙が出ている
- ・ 異常なおいや音がする
- ・ 異常に熱い

そのまま使用すると、火災・感電の原因になります。

● 直ちに電源プラグを抜き、端末を外して販売店に修理についてご相談ください。

警告



禁止

電源コード・電源プラグ・ACアダプターを破損するようなことはしない

(傷つける、加工する、熱器具に近づける、無理に曲げる、ねじる、引っ張る、重いものを載せる、束ねるなど)

傷んだまま使用すると、火災・感電の原因になります。

- コードやプラグ、ACアダプターに異常がある場合は、販売店にご相談ください。



電源プラグのほこりなどは定期的にとる

プラグにほこりなどがたまると、湿気などで絶縁不良となり、火災の原因になります。

- 電源プラグを抜き、乾いた布でふいてください。
- 長期間使用しないときは、電源プラグを抜いてください。



電源プラグは根元まで確実に挿し込む

挿し込みが不完全だと、感電や、発熱による火災の原因になります。

- 傷んだプラグ、ゆるんだコンセントは使用しないでください。



ぬれ手禁止

ぬれた手で電源プラグの抜き挿しはしない

感電の原因になります。



禁止

コンセントや配線器具の定格を超える使いかたや、AC100 V以外での使用はしない

たこ足配線などで定格を超えると、発熱による火災の原因になります。



禁止

金属などの導電性物質をバスコネクタ端子に触れさせない。また、手で触れない。

火災・やけど・感電の原因になります。



禁止

電源コードのアース端子をコンセントに挿し込まない

火災・感電の原因になります。

注意



禁止

湿気やほこりの多い場所、油煙や湯気が当たるような場所には置かない

火災・感電などの原因になることがあります。



禁止

電源プラグを接続したまま移動しない

電源コードが傷つき、火災・感電の原因になることがあります。

- 電源コードが傷ついた場合は、直ちに電源プラグを抜いて販売店にご相談ください。



禁止

ACアダプターに強い衝撃を加えない

落とすなどして強い衝撃が加わったACアダプターをそのまま使用すると、火災・感電の原因になることがあります。

- ACアダプターに異常がある場合は、販売店にご相談ください。



禁止

本機で使用する末端がぬれた状態では絶対に充電しない

火災・感電の原因になることがあります。



禁止

高温の場所に長時間放置しない

火のそばや炎天下など極端に高温になる場所に放置すると、外装ケースの変形や、内部部品の故障・劣化を引き起こすことがあります。そのような状態での使用は、ショートや絶縁不良による火災・感電の原因になります。



禁止

不安定な場所に置かない

落下して、けがの原因になることがあります。



必ず指定のACアダプター、付属の電源コードを使用する

火災・感電の原因になることがあります。



お手入れの際や長時間使わないときは、安全のため電源プラグを抜く

火災・感電の原因になることがあります。



電源コードは、プラグ部分を持って抜く

電源コードを引っ張るとコードが傷つき、火災・感電の原因になることがあります。

取り扱いとお手入れ

本機を正しくご使用いただくために、次の点をお守りください。

■ 使用環境について

- 平らな場所に置いてご使用ください。
- 直射日光の当たる場所、暖房機器付近には置かないでください。
- 高温環境で継続的に使用すると製品寿命が短くなります。このような環境での使用は避けてください。

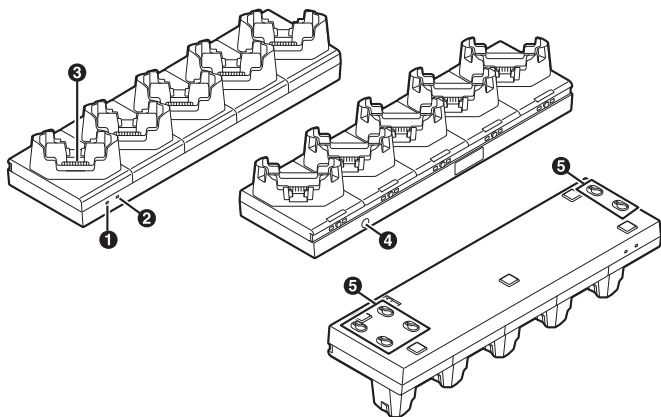
■ 取り扱い上のご注意

- 衝撃を加えたり、落としたりしないでください。故障、破損の原因になります。
- 本機で使用する端末が雨などでぬれている場合は、水抜きをして水滴をふき取り、十分に乾燥させてから本機へ装着してください。

■ お手入れ

- お手入れは、必ずACアダプターを抜いた状態で行ってください。
- お手入れの際は、乾いた柔らかい布でふいてください。
 - ベンジン、シンナー、アルコール、台所洗剤などの溶剤は、本体表面に影響を与えるおそれがありますので使用しないでください。
- バスコネクタ端子部分が汚れていると、充電ができなくなる場合があります。汚れに応じて乾いた柔らかい布でふいてください。
- バスコネクタ端子を曲げないように、ご注意ください。

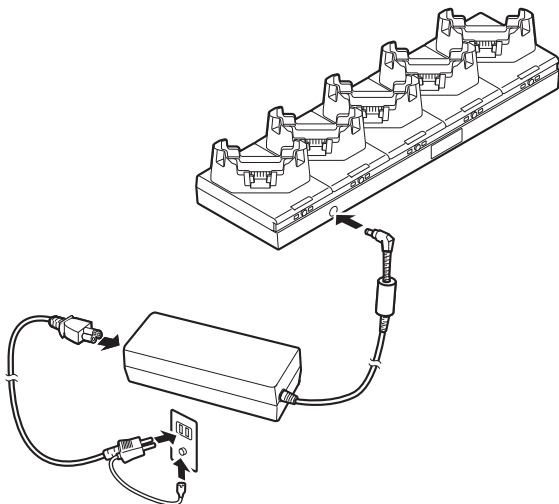
各部の名称と働き



- ① 電源状態表示ランプ (①)
緑点灯：電源オン
消灯：電源オフ
- ② 機能ランプ (本機では使用しません)
- ③ バスコネクター端子
端末に電源を供給し、充電します。
- ④ 電源端子
ACアダプターを接続します。
- ⑤ 位置決め穴
設置用の突起を付けた平らな台に、引っ掛けて固定できます。

接続する

ACアダプターは、下図のように接続してください。



必ず接地接続を行ってください。

接地接続は必ず、電源プラグを電源につなぐ前に行ってください。また、接地接続を外す場合は、必ず電源プラグを電源から切り離してから行ってください。

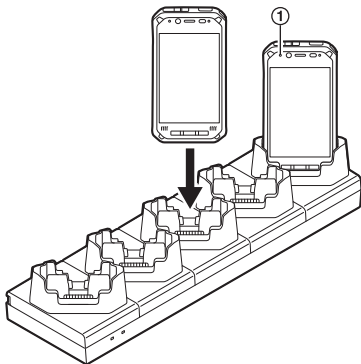
◆ お知らせ

- 本機を使用するにはACアダプターを接続する必要があります。

端末の取り付け/取り外し

端末の向きを確認し、奥までしっかりと差し込んでください。

- 充電が始まると端末の状態表示ランプ (①) が橙色に点灯し、充電が完了すると緑色になります。充電時間は、端末の取扱説明書をご参照ください。
- 充電は周囲温度 10℃～35℃で行ってください。



端末を取り外すときは、取り付けたときと逆方向にまっすぐ引き抜いてください。

困ったときのQ&A

下記の対処方法を行っても解決しない場合は、ご相談窓口にお問い合わせください。

現象	原因と対応
充電ができない	<ul style="list-style-type: none">● 端末が正しく取り付けられていません。正しく取り付けてください。● ACアダプターが正しく接続されていません。接続を確認してください。● 端子部が汚れています。端子部を掃除してください。● 周囲の温度が高すぎるまたは低すぎる可能性があります。充電は周囲温度が10℃～35℃で行ってください。
充電が早く終わる、充電できない	<ul style="list-style-type: none">● バッテリーパックの寿命です。新しいものに交換してください。

仕様

電源	定格電圧	DC 15.6 V
	定格電流	7.05 A
外形寸法 (幅×奥行×高さ)	約 400 mm × 115 mm × 80 mm (突起部を除く)	
質量	約 1.2 kg	
環境	使用温度	10 °C~35 °C
	使用湿度	30 % RH~80 % RH
ACアダプター ^{*1}	入力	AC 100 V~240 V、50 Hz/60 Hz
	出力	DC 15.6 V、7.05 A

*1 本製品はAC100 V対応の電源コードを使用するため、AC100 Vのコンセントに接続して使用してください。(→38ページ)

保証とアフターサービス

端末の取扱説明書をご覧ください。

Panasonic Mobile Communications Co., Ltd.

600 Saedo-cho, Tsuzuki-ku, Yokohama-city,
Kanagawa 224-8539, Japan

Panasonic System Solutions Company of North America

Two Riverfront Plaza, Newark, NJ 07102, USA

Panasonic Canada Inc.

5770 Ambler Drive, Mississauga, Ontario L4W 2T3

Importer's name & address pursuant to the EU legislation

**Panasonic System Communications Company Europe,
Panasonic Marketing Europe GmbH**

Hagenauer Straße 43

65203 Wiesbaden

Germany

パナソニック モバイルコミュニケーションズ株式会社

〒224-8539 神奈川県横浜市都筑区佐江戸町600番地

Web site: <https://panasonic.net/cns/pc/>

© Panasonic Mobile Communications Co., Ltd. 2018

〈無料修理規定〉

- 取扱説明書、本体貼付ラベル等の注意書に従った使用状態で保証期間内に故障した場合には、無料修理をさせていただきます。
 - (イ) 無料修理をご依頼になる場合には、商品に取扱説明書から切り離れた本書を添えていただきお買い上げの販売店にお申しつけください。
 - (ロ) お買い上げの販売店に無料修理をご依頼にならない場合には、修理ご相談窓口にお問い合わせください。
- ご転居の場合の修理ご相談先等は、お買い上げの販売店または修理ご相談窓口にお問い合わせください。
- ご贈答品等で本保証書に記入の販売店で無料修理をお受けになれない場合には、修理ご相談窓口にお問い合わせください。
- 保証期間内でも次の場合には原則として有料とさせていただきます。
 - (イ) 使用上の誤り及び不当な修理や改造による故障及び損傷
 - (ロ) お買い上げ後の輸送、落下などによる故障及び損傷
 - (ハ) 火災、地震、水害、落雷、その他天災地変及び公害、塩害、ガス害（硫化ガスなど）、異常電圧、指定外の使用電源（電圧、周波数）などによる故障及び損傷
 - (ニ) 車両、船舶等に搭載された場合に生ずる故障及び損傷
 - (ホ) 本書のご添付がない場合
 - (ヘ) 本書にお買い上げ年月日、お客様名、販売店名の記入のない場合、あるいは字句を書き替えられた場合
 - (ト) 持込修理の対象商品を直接修理窓口へ送付した場合の送料等はおお客様の負担となります。また、出張修理等を行った場合には、出張料はおお客様の負担となります。
- 本書は日本国内においてのみ有効です。
- 本書は再発行いたしませんので大切に保管してください。
- ご相談窓口は端末の取扱説明書の保証とアフターサービス欄をご参照ください。

修理メモ

- ※ お客様にご記入いただいた個人情報（保証書控）は、保証期間内の無料修理対応及びその後の安全点検活動のために利用させていただきます。
- ※ この保証書は、本書に明示した期間、条件のもとにおいて無料修理をお約束するものです。したがってこの保証書によって、保証書を発行している者（保証責任者）、及びそれ以外の事業者に対するお客様の法律上の権利を制限するものではありませんので、保証期間経過後の修理についてご不明の場合は、お買い上げの販売店または修理ご相談窓口にお問い合わせください。
- ※ 保証期間経過後の修理や補修用性能部品の保有期間については端末の取扱説明書の「保証とアフターサービス」をご覧ください。
- ※ This warranty is valid only in Japan.

Panasonic

持込修理

充電台(5連式)保証書

本書はお買い上げの日から下記期間中故障が発生した場合には本書裏面記載内容で無料修理を行うことをお約束するものです。ご記入いただきました個人情報の利用目的は本書裏面に記載しております。お客様の個人情報に関するお問い合わせは、お買い上げの販売店にご相談ください。詳細は裏面をご参照ください。

品番	FZ-VCBN141J
保証期間	お買い上げ日から 本体 1年間
※ お買い上げ日	____年 ____月 ____日
※ お客様	ご住所 _____ お名前 _____様 電話 (_____) _____
※ 販売店	住所・販売店名 _____ 電話 (_____) _____

パナソニック モバイルコミュニケーションズ株式会社

〒224-8539 神奈川県横浜市都筑区佐江戸町600番地 TEL (045)936-0821

ご販売店様へ ※印欄は必ず記入してお渡しく下さい。

(切り取り線)