

Specifications

Main unit

Power supply		AC 200–240 V, 50/60 Hz AC 100–120 V, 50/60 Hz (Brightness is restricted to approximately 1/5)
Power consumption*1		4100 W (4160 VA)
	Operation mode [Normal]	3970 W
	Operation mode [Eco]	3110 W
	Standby mode	6 W
	Shutter	520 W
BTU value		Max 13,560 BTU
DLP™ chip	Panel size	1.38 inches diagonal (17:9 aspect ratio)
	Display method	DLP™ chip x 3, DLP™ projection system
	Number of pixels	8,847,360 (4096 x 2160) × 3
Refresh rate		120Hz Refresh rate varies depending on scanning frequency.
Light source		Laser Diodes
Light output	Operation mode [Normal]	51,000lm(Center)*2/50,000lm*3 (When using with AC110-120 V: Brightness is restricted to approximately 1/5)
	Operation mode [Eco]	40,000 lm*3 (When using with AC110-120 V: Brightness is restricted to approximately 1/5)
Time until light output declines to 50 %*4	Operation mode [Normal]	20,000 hours
	Operation mode [Eco]	24,000 hours
Resolution		4096×2160 pixels
Contrast Ratio*3		20,000: 1 (Full On/Full Off, Dynamic Contrast Mode: 3)
Screen size[diagonal]		2.54–38.1 m (100–1500 in)
Center-to-corner uniformity*3		90%
Lens		Optional (no lens included with this model)
Lens shift		Vertical (from center of screen) ±40% with ET-D3QW300, ±45% with ET-D3QS400/ET-D3QT500, ±25% with ET-D3QT600, ±30% with ET-D3QT700/ET-D3QT800 Horizontal (from center of screen) ±14% with ET-D3QW300, ±16% with ET-D3QS400/ET-D3QT500, ±8% with ET-D3QT600, ±10% with ET-D3QT700/ET-D3QT800
Installation		Ceiling/floor, front /rear, free 360-degree installation
Compatible signal	SDI	HD-SDI signal 3G-SDI signal 6G-SDI signal 12G-SDI signal This is supported when the Interface Board for 12G-SDI input (Model No.: ET-MDN12G10) is installed in the slot.
	DIGITAL LINK	• Moving image signal resolution: 480/60i, 576/50i to 4096 x 2160 Still image signal resolution: 640 x 400 to 1920 x 1200 (non-interlace) • Dot clock frequency: 25 MHz to 297 MHz
	HDMI	• Moving image signal resolution: 480/60i, 576/50i to 4096 x 2160 Still image signal resolution: 640 x 400 to 1920 x 1200 (non-interlace) • Dot clock frequency: 25 MHz to 594 MHz This is supported when the optional Interface Board for HDMI 2 input (Model No.: ET-MDNHM10) is installed in the slot.
	DVI-D	• Moving image signal resolution: 480/60i, 576/50i to 2048 x 1080 Still image signal resolution: 640 x 400 to 1920 x 1200 (non-interlace) • Dot clock frequency: 25 MHz to 162 MHz This is supported when the optional Interface Board for DVI-D 2 input (Model No.: ET-MDNDV10) is installed in the slot.
	DisplayPort	• Moving image signal resolution: 720/60p to 4096 x 2160/60p Still image signal resolution: 640 x 480 to 1920 x 1200 (non-interlace) • Dot clock frequency: 25 MHz to 594 MHz This is supported when the optional Interface Board for DisplayPort 2 input (Model No.: ET-MDNDP10) is installed in the slot.

*1 Operating Temperature: 25 °C (77 °F), Altitude: 700m (2,297ft), IEC627087: 2008 Broadcast contents, Picture mode: Standard, Dynamic contrast [2]
 *2 Average light-output value of all shipped products measured at center of screen in NORMAL Mode.
 *3 Measurement, measuring conditions, and method of notation all comply with ISO/IEC 21118: 2012 international standards. Value is average of all products when shipped.
 *4 Around this time, light output will have decreased by approximately 50 %. Dynamic Contrast [3], under conditions with 35°C (95°F), 700m (2,297ft) above sea level, and 0.15 mg/m³ of particulate matter. Estimated time until light output declines to 50% varies depending on environment.

NOTE

- Weights and dimensions shown are approximate. Specifications subject to change without notice.
- For more information on D3QW200, please check D3QW200's specsheet.

Terminals / SLOT	MULTI PROJECTOR SYNC IN	BNC x 1 TTL Hi-z	
	MULTI PROJECTOR SYNC OUT	BNC x 1 TTL max10mA	
	SERIAL IN	D-sub 9-pin (female) x 1 for external control (RS-232C compliant)	
	SERIAL OUT	D-sub 9-pin (male) x 1 for external control (RS-232C compliant)	
	REMOTE 1 IN	M3 stereo mini jack x 1 for wired remote control, link control	
	REMOTE 1 OUT	M3 stereo mini jack x 1 for wired remote control, link control	
	REMOTE 2 IN	D-sub 9-pin (female) x 1 for external control (parallel)	
	DIGITAL LINK	RJ-45 x 1 for network, DIGITAL LINK connection (HDBaseT™ compliant), 100Base-TX, compatible with Art-Net, PJLink™ (Class 2), eep Color, HDCP 2.2	
	LAN	RJ-45 x 1 for network, 10Base-T/100Base-TX, compatible with Art-Net, PJLink™ (Class 2)	
	DC OUT	USB Type A x 2 (for power supply DC 5 V total of 2 A)	
	SLOT	SLOT 1 / SLOT 2 (total two terminals, vacant) for interface boards, SLOT NX compatible Slot 1 is shipped with one optional 12G-SDI board (ET-MDN12G10 pre-installed)	
	USB	USB Type A x 1, for USB memory stick / Wireless Module (Option:AJ-WM50 Series)	
Cabinet materials		Processed metal parts , Molded plastic	
Dimensions (W x H x D)		720 x 445 x 1070 mm (28-11/32 x 17-9/16 x 42-1/8 inches) (not including protruding parts)	
Weight*1		Approx. 126 kg (278 lbs)	
Operation noise		52dB	
Laser Classification	Laser Class	USA and Canada: Class 3R (IEC 60825-1:2007) Other Countries or regions: Class 1 (IEC/EN 60825-1:2014)	
	Risk Group	ET-D3QW200	Risk Group 2 (IEC 62471-5:2015)
		ET-D3QW300, ET-D3QS400, ET-D3QT500, ET-D3QT600, ET-D3QT700 ET-D3QT800	Risk Group 3 (IEC 62471-5:2015)
Operating temperature**2**3**4		0–45 °C (32–113 °F)	
Operating humidity		10–80 % (no condensation)	
Remote control unit	Power supply	3 V DC (AA/R6 type battery x 2)	
	Operation range	Approx. 30 m (985 in) ftwhen operated from directly in front of the signal receptor	
	Dimensions (W × H × D)	47.5 x 181.5 x 27.5 mm (1-7/8 x 7-5/32 x 1-3/32 inches)	
	Weight	Approx. 150 g (5.3 oz) (including batteries)	
Applicable software		Logo Transfer Software, Multi Monitoring & Control Software, Geometry Manager Pro, Smart Projector Control for iOS/Android™	

Supplied Accessories

Power cord*5, 12G-SDI Input Board x 1, Lens hole cover x 1, Wireless/wired remote control unit x 1, Batteries for remote control (AA/R6 type x 2)

Optional Accessories

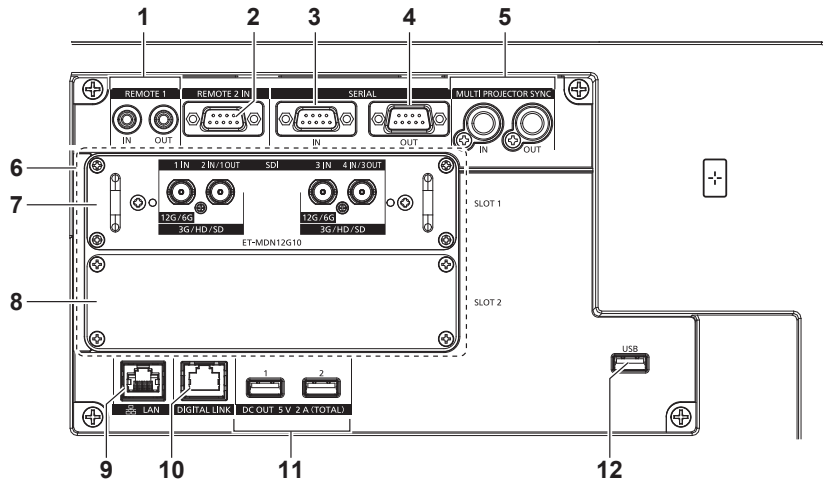
Lens	Zoom lens	ET-D3QW300 (1.11-1.70:1)
		ET-D3QS400 (1.43-2.09:1)
		ET-D3QT500 (2.00-3.41:1)
		ET-D3QT600 (2.69-3.88:1)
		ET-D3QT700 (3.89-5.47:1)
		ET-D3QT800 (4.97-7.76:1)
Interface Board	HDMI Input (Input x 2)*6	ET-MDNHM10 (HDCP2.2)
	DVI Input (Input x 2)	ET-MDNV10
	12G-SDI Input (Input x 2, Input / Output x 2)	ET-MDN12G10
	Display Port (Input x 2)	ET-MDNDP10
	12G-SDI Optical (Input x 1, Input / Output x 1)	ET-MDNFB10
Wireless module		AJ-WM50 Series*7
Early Warning Software		ET-SWA100 Series*8

- *1 Average value. May differ depending on the actual unit.
- *2 The operating environment temperature should be between 0°C (32°F) and 40°C (104°F) if the projector is used at an altitude between 1400 m (4593') and 4200 m (13780') above sea level.
- *3 The operating environment temperature should be between 0 °C (32°F) and 40 °C (104°F) when the optional Wireless Module (Model No.: AJ-WM50 Series) is attached.
- *4 When the [PROJECTOR SETUP] menu → [OPERATION SETTING] → [OPERATING MODE] is set to [NORMAL] or [ECO], and the operating environment temperature exceeds the following value, the light output may be reduced to protect the projector.
 - When using the projector at an altitude lower than 2700 m (8858') above sea level: 30°C (86°F)
 - When using the projector at an altitude between 2700 m (8858') and 4 200 m (13780') above sea level: 25 °C (77°F)
- *5 The type and number of the supplied power cords vary depending on the country or region where you purchased the product.
- *6 When performing the simultaneous input of the 4K image (resolution of 3840 x 2160 or 4096 x 2160) using the Interface Board for HDMI 2 input (Model No.: ET-MDNHM10), it is necessary for the firmware version of the Interface Board for HDMI 2 input to be 2.00 or later. If the version is earlier than 2.00, the simultaneous process is not performed even if corresponding signal is input. Consult your dealer regarding the version update to the latest firmware.
- *7 The suffix of the Model No. differs according to the license type.
- *8 In this document, the suffixes at the end of the model numbers are omitted.

NOTE

• For more information on D3QW200, please check D3QW200's specs sheet.

Terminals

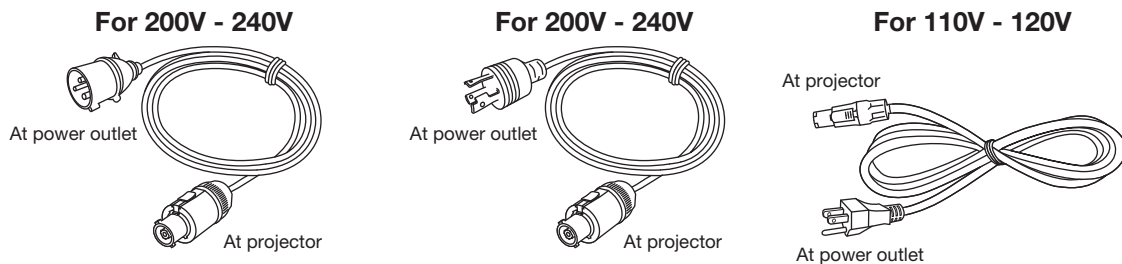


1	REMOTE 1 IN / REMOTE 1 OUT	7	12G-SDI input board
2	REMOTE 2 IN	8	SLOT Cover
3	SERIAL IN	9	LAN
4	SERIAL OUT	10	DIGITAL LINK
5	MULTI PROJECTOR SYNC IN / MULTI PROJECTOR SYNC OUT	11	DC OUT 1 / DC OUT 2
6	SLOT 1 / SLOT 2	12	USB

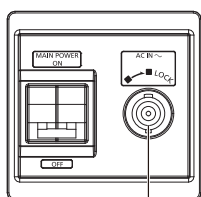
Power cord

This projector supports AC 100 V to AC 120 V, and AC 200 V to AC 240 V as the power supply. A grounded outlet supporting 30 A is required when using the projector with AC 200 V to AC 240 V. A grounded outlet supporting 15 A is required when using the projector with AC 100 V to AC 120 V.

The shape of the usable outlet differs depending on the power supply. Following illustrations are examples.



At projector



AC IN terminal

Power outlets that can be used



2P/3W 30 A 250 V
NEMA L6-30



2P/3W 30 A 250 V
Clock position 6h

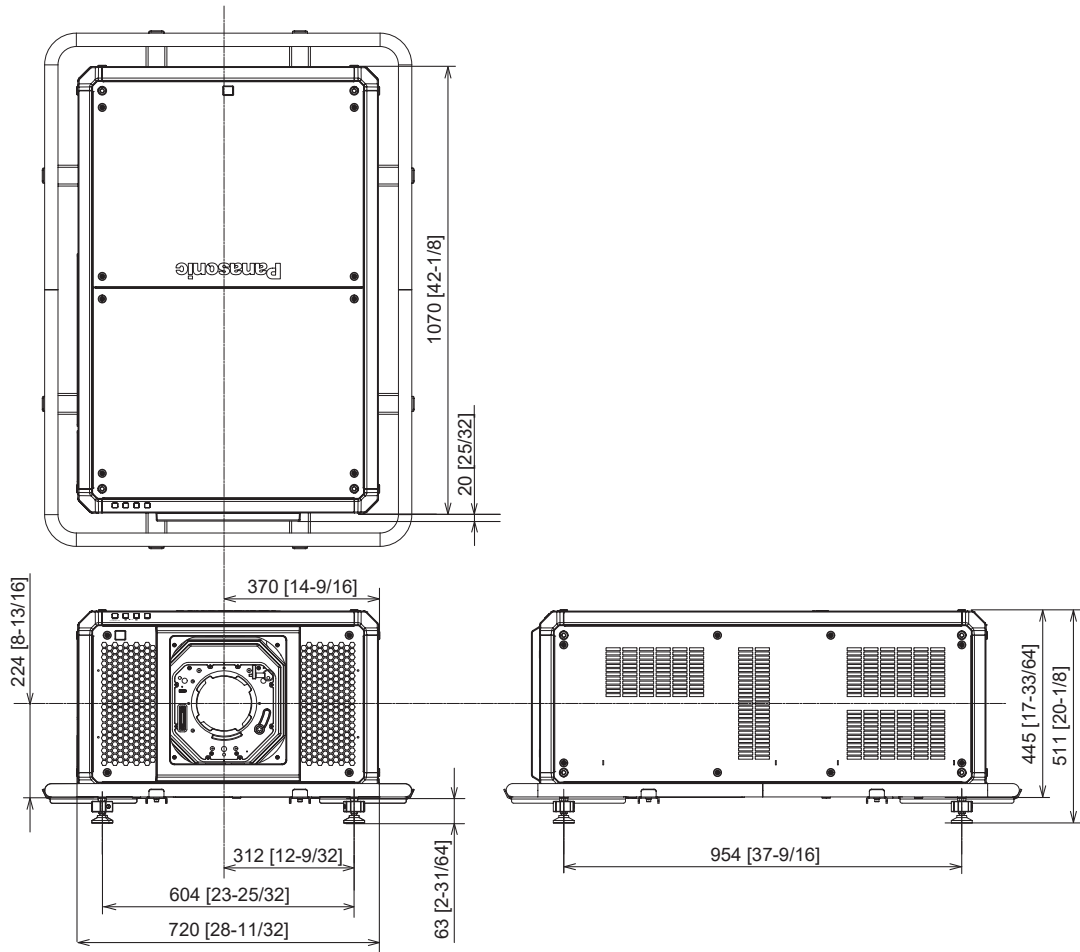


2P/3W 15 A 125 V

NOTE

- The light output will decrease to approximately 1/5 when using the projector with AC 100 V to AC 120 V.
- The supplied power cords vary depending on the country or region where you purchased the product.

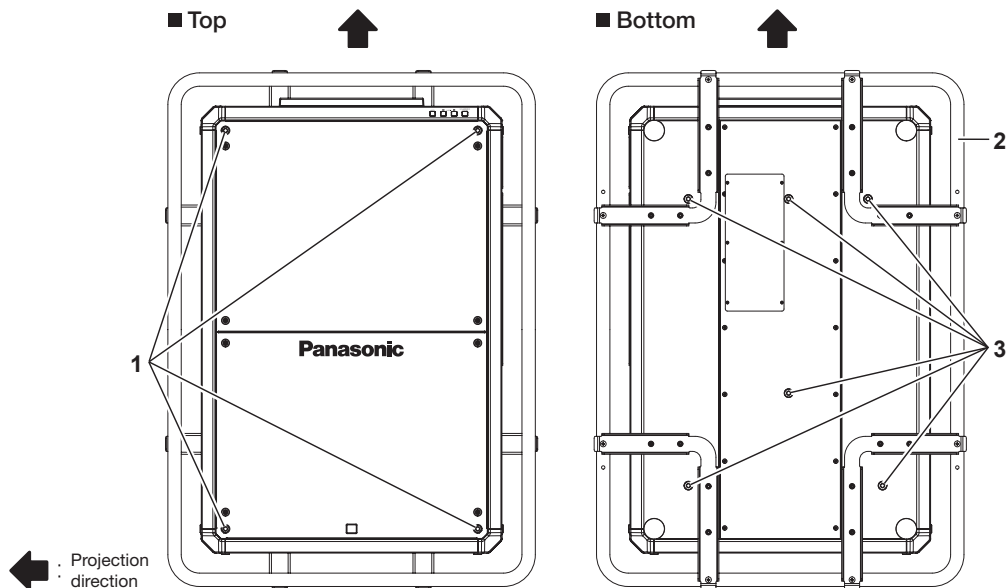
Dimensions



NOTE: This illustration is not drawn to scale.

Dimensions do not include the protrusion of the screw bolt for eyebolts. (3mm)

unit : mm (inch)



1 Screw holes for eyebolts

Screw diameter: M10, tapping depth inside the projector: 35 mm (1-3/8")

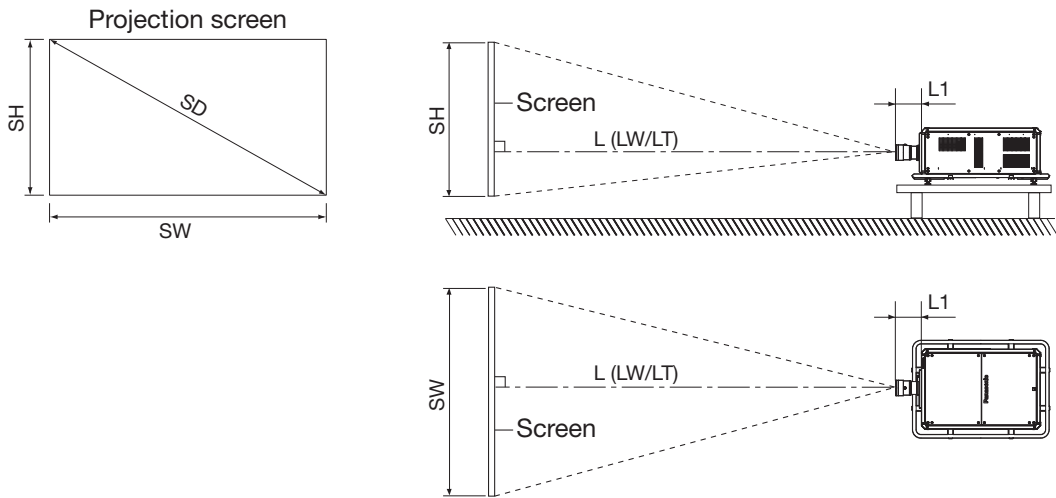
2 Handle (Removable)

3 Screw holes to fix the projector

Screw diameter: M10, tapping depth inside the projector: 30 mm (1-3/16")

- Use a torque screwdriver or Allen torque wrench to tighten the fixing screws to their specified tightening torques.
- Do not use elector impact screwdrivers.

Projection relationship diagram



NOTE

- This diagram assumes that the size and position of the projected image will be adjusted so that the image fills the entire screen.
- This illustration is not drawn to scale.
- The values are approximate.

(unit:mm)

SH	Projected image height
SW	Projected image width
SD	Projected image size
L	Projection distance
LW	Minimum distance
LT	Maximum distance
L1	Distance from front of projector to edge of lens

Projection lens Model No.	Lens protrusion dimensions (L1)
ET-D3QW300	0.246
ET-D3QS400	0.232
ET-D3QT500	0.208
ET-D3QT600	0.149
ET-D3QT700	0.221
ET-D3QT800	0.267

NOTE

- For more information on D3QW200, please check D3QW200's specsheet.

Projection distance

Screen aspect ratio 17: 9

(Unit:m)

Lens type			Zoom lens											
Projection lens Model No.			ET-D3QW300		ET-D3QS400		ET-D3QT500		ET-D3QT600		ET-D3QT700		ET-D3QT800	
Throw ratio*1			1.11-1.70:1		1.43-2.09:1		2.00-3.41:1		2.69-3.88:1		3.89-5.47:1		4.97-7.76:1	
Projection screen size			Projection distance (L)											
Diagonal (SD) [m] / [in]	Height (SH) [m]	Width (SW) [m]	min. [LW]	max. [LT]	min. [LW]	max. [LT]	min. [LW]	max. [LT]	min. [LW]	max. [LT]	min. [LW]	max. [LT]	min. [LW]	max. [LT]
2.54 / 100	1.188	2.245	2.42	3.77	3.13	4.64	4.64	7.80	5.92	8.57	8.57	12.09	10.97	17.22
3.05 / 120	1.426	2.694	2.93	4.55	3.79	5.59	5.51	9.31	7.15	10.34	10.34	14.59	13.23	20.75
3.81 / 150	1.783	3.367	3.69	5.71	4.77	7.02	6.81	11.57	8.99	12.99	12.99	18.33	16.62	26.05
5.08 / 200	2.377	4.490	4.95	7.65	6.40	9.40	8.97	15.33	12.06	17.42	17.42	24.57	22.27	34.88
6.35 / 250	2.971	5.612	6.22	9.60	8.03	11.78	11.14	19.09	15.14	21.85	21.85	30.81	27.92	43.71
7.62 / 300	3.565	6.734	7.49	11.54	9.66	14.17	13.31	22.85	18.21	26.28	26.28	37.04	33.57	52.54
8.89 / 350	4.160	7.857	8.76	13.48	11.29	16.55	15.47	26.62	21.28	30.71	30.71	43.28	39.23	61.37
10.16 / 400	4.754	8.979	10.03	15.42	12.92	18.93	17.64	30.38	24.35	35.14	35.14	49.52	44.88	70.20
12.70 / 500	5.942	11.224	12.56	19.31	16.18	23.69	21.97	37.90	30.49	44.00	43.99	62.00	56.18	87.85
15.24 / 600	7.131	13.469	15.10	23.19	19.44	28.45	26.31	45.43	36.64	52.85	52.85	74.47	67.48	105.51
17.78 / 700	8.319	15.714	17.63	27.07	22.70	33.21	30.64	52.95	42.78	61.71	61.71	86.95	78.78	123.17
20.32 / 800	9.507	17.959	20.17	30.96	25.97	37.98	34.97	60.48	48.92	70.57	70.57	99.43	90.09	140.83
22.86 / 900	10.696	20.203	22.70	34.84	29.23	42.74	39.31	68.00	55.07	79.42	79.42	111.90	101.39	158.49
25.40 / 1000	11.884	22.448	25.24	38.73	32.49	47.50	43.64	75.53	61.21	88.28	88.28	124.38	112.69	176.15
27.94 / 1100	13.073	24.693	27.77	42.61	35.75	52.26	47.97	83.05	67.36	97.14	97.14	136.86	123.99	193.81
30.48 / 1200	14.261	26.938	30.31	46.49	39.01	57.02	52.31	90.58	73.50	106.00	106.00	149.33	135.30	211.47
33.02 / 1300	15.450	29.183	32.84	50.38	42.27	61.79	56.64	98.10	79.64	114.85	114.85	161.81	146.60	229.13
35.56 / 1400	16.638	31.427	35.38	54.26	45.53	66.55	60.97	105.63	85.79	123.71	123.71	174.29	157.90	246.79
38.10 / 1500	17.827	33.672	37.91	58.15	48.80	71.31	65.31	113.16	91.93	132.57	132.57	186.76	169.20	264.44

(Unit:feet)

Lens type			Zoom lens											
Projection lens Model No.			ET-D3QW300		ET-D3QS400		ET-D3QT500		ET-D3QT600		ET-D3QT700		ET-D3QT800	
Throw ratio*1			1.11-1.70:1		1.43-2.09:1		2.00-3.41:1		2.69-3.88:1		3.89-5.47:1		4.97-7.76:1	
Projection screen size			Projection distance (L)											
Diagonal (SD) [m] / [in]	Height (SH) [m]	Width (SW) [m]	min. [LW]	max. [LT]	min. [LW]	max. [LT]	min. [LW]	max. [LT]	min. [LW]	max. [LT]	min. [LW]	max. [LT]	min. [LW]	max. [LT]
2.54 / 100	1.188	2.245	7.94	12.37	10.28	15.23	15.22	25.60	19.42	28.10	28.10	39.67	35.99	56.49
3.05 / 120	1.426	2.694	9.60	14.92	12.42	18.35	18.07	30.54	23.45	33.91	33.91	47.85	43.40	68.08
3.81 / 150	1.783	3.367	12.10	18.74	15.63	23.04	22.33	37.94	29.50	42.63	42.63	60.13	54.53	85.46
5.08 / 200	2.377	4.490	16.26	25.11	20.98	30.85	29.44	50.29	39.58	57.16	57.16	80.60	73.07	114.43
6.35 / 250	2.971	5.612	20.41	31.48	26.34	38.66	36.55	62.63	49.66	71.69	71.69	101.07	91.61	143.39
7.62 / 300	3.565	6.734	24.57	37.85	31.69	46.47	43.66	74.98	59.73	86.22	86.22	121.53	110.15	172.36
8.89 / 350	4.160	7.857	28.73	44.22	37.04	54.29	50.77	87.32	69.81	100.75	100.75	142.00	128.69	201.33
10.16 / 400	4.754	8.979	32.89	50.60	42.39	62.10	57.87	99.66	79.89	115.28	115.28	162.47	147.23	230.30
12.70 / 500	5.942	11.224	41.21	63.34	53.09	77.72	72.09	124.35	100.04	144.34	144.34	203.40	184.31	288.23
15.24 / 600	7.131	13.469	49.53	76.08	63.79	93.34	86.31	149.04	120.20	173.40	173.40	244.33	221.39	346.17
17.78 / 700	8.319	15.714	57.84	88.82	74.49	108.97	100.52	173.73	140.36	202.46	202.45	285.27	258.47	404.10
20.32 / 800	9.507	17.959	66.16	101.57	85.19	124.59	114.74	198.42	160.51	231.52	231.51	326.20	295.55	462.04
22.86 / 900	10.696	20.203	74.48	114.31	95.89	140.21	128.96	223.11	180.67	260.57	260.57	367.13	332.63	519.97
25.40 / 1000	11.884	22.448	82.80	127.05	106.59	155.84	143.17	247.80	200.82	289.63	289.63	408.07	369.72	577.91
27.94 / 1100	13.073	24.693	91.11	139.79	117.29	171.46	157.39	272.48	220.98	318.69	318.69	449.00	406.80	635.85
30.48 / 1200	14.261	26.938	99.43	152.54	127.99	187.08	171.61	297.17	241.13	347.75	347.75	489.94	443.88	693.78
33.02 / 1300	15.450	29.183	107.75	165.28	138.69	202.71	185.82	321.86	261.29	376.81	376.81	530.87	480.96	751.72
35.56 / 1400	16.638	31.427	116.07	178.02	149.39	218.33	200.04	346.55	281.45	405.87	405.87	571.80	518.04	809.65
38.10 / 1500	17.827	33.672	124.38	190.76	160.09	233.95	214.26	371.24	301.60	434.93	434.93	612.74	555.12	867.59

*1 The throw ratio is based on the value during projection with the projected image size of 5.08 m (200").
 • The value for L (distance to screen) varies slightly within ±5% depending on the zoom lens characteristics.
 • When vertical keystone correction is used, the image is corrected in the direction that reduces its projected size.

NOTE • For more information on D3QW200, please check D3QW200's specsheet.

Screen aspect ratio 16:10

(Unit:m)

Lens type			Zoom lens											
Projection lens Model No.			ET-D3QW300		ET-D3QS400		ET-D3QT500		ET-D3QT600		ET-D3QT700		ET-D3QT800	
Throw ratio*1			1.32-2.02:1		1.70-2.48:1		2.36-4.03:1		3.19-4.60:1		4.61-6.49:1		5.89-9.21:1	
Projection screen size			Projection distance (L)											
Diagonal (SD) [m] / [in]	Height (SH) [m]	Width (SW) [m]	min. [LW]	max. [LT]	min. [LW]	max. [LT]	min. [LW]	max. [LT]	min. [LW]	max. [LT]	min. [LW]	max. [LT]	min. [LW]	max. [LT]
2.54 / 100	1.346	2.154	2.76	4.30	3.58	5.29	5.23	8.83	6.76	9.77	9.77	13.79	12.51	19.62
3.05 / 120	1.615	2.585	3.34	5.18	4.32	6.37	6.22	10.54	8.15	11.79	11.78	16.63	15.08	23.64
3.81 / 150	2.019	3.231	4.21	6.51	5.43	8.00	7.69	13.10	10.25	14.80	14.80	20.88	18.93	29.66
5.08 / 200	2.692	4.308	5.65	8.71	7.28	10.70	10.15	17.38	13.74	19.84	19.84	27.97	25.35	39.69
6.35 / 250	3.365	5.385	7.09	10.92	9.14	13.41	12.62	21.65	17.23	24.87	24.87	35.05	31.77	49.72
7.62 / 300	4.039	6.462	8.53	13.12	10.99	16.11	15.08	25.93	20.72	29.90	29.90	42.14	38.19	59.75
8.89 / 350	4.712	7.539	9.97	15.33	12.84	18.82	17.54	30.20	24.21	34.93	34.93	49.23	44.61	69.79
10.16 / 400	5.385	8.616	11.41	17.54	14.70	21.52	20.00	34.48	27.70	39.96	39.96	56.32	51.03	79.82
12.70 / 500	6.731	10.770	14.29	21.95	18.40	26.93	24.93	43.03	34.68	50.03	50.03	70.50	63.88	99.88
15.24 / 600	8.077	12.923	17.17	26.36	22.11	32.34	29.85	51.58	41.66	60.09	60.09	84.67	76.72	119.95
17.78 / 700	9.423	15.077	20.05	30.78	25.81	37.75	34.77	60.13	48.64	70.16	70.15	98.85	89.56	140.01
20.32 / 800	10.770	17.231	22.93	35.19	29.52	43.16	39.70	68.68	55.62	80.22	80.22	113.02	102.40	160.08
22.86 / 900	12.116	19.385	25.81	39.60	33.23	48.58	44.62	77.23	62.60	90.28	90.28	127.20	115.24	180.14
25.40 / 1000	13.462	21.539	28.69	44.02	36.93	53.99	49.54	85.78	69.58	100.35	100.35	141.38	128.09	200.20
27.94 / 1100	14.808	23.693	31.57	48.43	40.64	59.40	54.47	94.33	76.56	110.41	110.41	155.55	140.93	220.27
30.48 / 1200	16.154	25.847	34.45	52.84	44.34	64.81	59.39	102.88	83.54	120.47	120.47	169.73	153.77	240.33
33.02 / 1300	17.501	28.001	37.33	57.26	48.05	70.22	64.31	111.43	90.52	130.54	130.54	183.91	166.61	260.40
35.56 / 1400	18.847	30.155	40.21	61.67	51.75	75.63	69.24	119.98	97.50	140.60	140.60	198.08	179.45	280.46
38.10 / 1500	20.193	32.309	43.09	66.08	55.46	81.04	74.16	128.53	104.48	150.67	150.67	212.26	192.30	300.53

(Unit:feet)

Lens type			Zoom lens											
Projection lens Model No.			ET-D3QW300		ET-D3QS400		ET-D3QT500		ET-D3QT600		ET-D3QT700		ET-D3QT800	
Throw ratio*1			1.32-2.02:1		1.70-2.48:1		2.36-4.03:1		3.19-4.60:1		4.61-6.49:1		5.89-9.21:1	
Projection screen size			Projection distance (L)											
Diagonal (SD) [m] / [in]	Height (SH) [m]	Width (SW) [m]	min. [LW]	max. [LT]	min. [LW]	max. [LT]	min. [LW]	max. [LT]	min. [LW]	max. [LT]	min. [LW]	max. [LT]	min. [LW]	max. [LT]
2.54 / 100	1.346	2.154	9.07	14.10	11.74	17.36	17.16	28.96	22.17	32.06	32.06	45.24	41.04	64.38
3.05 / 120	1.615	2.585	10.96	17.00	14.17	20.91	20.39	34.57	26.75	38.66	38.66	54.54	49.46	77.55
3.81 / 150	2.019	3.231	13.80	21.34	17.82	26.23	25.24	42.99	33.62	48.57	48.57	68.50	62.10	97.30
5.08 / 200	2.692	4.308	18.52	28.58	23.90	35.11	33.31	57.01	45.07	65.08	65.08	91.75	83.17	130.21
6.35 / 250	3.365	5.385	23.25	35.82	29.98	43.98	41.39	71.04	56.52	81.59	81.58	115.01	104.24	163.12
7.62 / 300	4.039	6.462	27.97	43.06	36.06	52.86	49.47	85.06	67.97	98.10	98.09	138.26	125.30	196.04
8.89 / 350	4.712	7.539	32.70	50.30	42.14	61.73	57.54	99.09	79.42	114.60	114.60	161.52	146.37	228.95
10.16 / 400	5.385	8.616	37.42	57.54	48.22	70.61	65.62	113.12	90.87	131.11	131.11	184.77	167.43	261.86
12.70 / 500	6.731	10.770	46.87	72.02	60.37	88.36	81.77	141.17	113.77	164.13	164.13	231.28	209.57	327.69
15.24 / 600	8.077	12.923	56.32	86.50	72.53	106.11	97.93	169.22	136.67	197.15	197.15	277.79	251.70	393.52
17.78 / 700	9.423	15.077	65.77	100.97	84.69	123.86	114.08	197.27	159.57	230.17	230.16	324.30	293.83	459.35
20.32 / 800	10.770	17.231	75.22	115.45	96.85	141.61	130.23	225.32	182.48	263.18	263.18	370.81	335.96	525.17
22.86 / 900	12.116	19.385	84.68	129.93	109.01	159.37	146.39	253.38	205.38	296.20	296.20	417.32	378.09	591.00
25.40 / 1000	13.462	21.539	94.13	144.41	121.16	177.12	162.54	281.43	228.28	329.22	329.22	463.83	420.23	656.83
27.94 / 1100	14.808	23.693	103.58	158.89	133.32	194.87	178.69	309.48	251.18	362.24	362.23	510.34	462.36	722.66
30.48 / 1200	16.154	25.847	113.03	173.37	145.48	212.62	194.85	337.53	274.08	395.25	395.25	556.85	504.49	788.49
33.02 / 1300	17.501	28.001	122.48	187.84	157.64	230.37	211.00	365.58	296.98	428.27	428.27	603.36	546.62	854.31
35.56 / 1400	18.847	30.155	131.93	202.32	169.80	248.12	227.15	393.63	319.88	461.29	461.29	649.87	588.76	920.14
38.10 / 1500	20.193	32.309	141.38	216.80	181.95	265.87	243.31	421.69	342.78	494.31	494.30	696.38	630.89	985.97

*1 The throw ratio is based on the value during projection with the projected image size of 5.08 m (200").
 • The value for L (distance to screen) varies slightly within ±5% depending on the zoom lens characteristics.
 • When vertical keystone correction is used, the image is corrected in the direction that reduces its projected size.

NOTE

• For more information on D3QW200, please check D3QW200's specsheet.

Screen aspect ratio 16:9

(Unit:m)

Lens type			Zoom lens											
Projection lens Model No.			ET-D3QW300		ET-D3QS400		ET-D3QT500		ET-D3QT600		ET-D3QT700		ET-D3QT800	
Throw ratio*1			1.18-1.81:1		1.52-2.23:1		2.13-3.63:1		2.87-4.13:1		4.14-5.83:1		5.30-8.28:1	
Projection screen size			Projection distance (L)											
Diagonal (SD) [m] / [in]	Height (SH) [m]	Width (SW) [m]	min. [LW]	max. [LT]	min. [LW]	max. [LT]	min. [LW]	max. [LT]	min. [LW]	max. [LT]	min. [LW]	max. [LT]	min. [LW]	max. [LT]
2.54 / 100	1.245	2.214	2.55	3.97	3.30	4.88	4.86	8.19	6.23	9.02	9.02	12.73	11.55	18.12
3.05 / 120	1.494	2.657	3.08	4.78	3.99	5.89	5.77	9.77	7.52	10.88	10.88	15.35	13.92	21.83
3.81 / 150	1.868	3.321	3.88	6.01	5.02	7.39	7.14	12.14	9.46	13.67	13.67	19.28	17.49	27.40
5.08 / 200	2.491	4.428	5.21	8.05	6.73	9.89	9.42	16.10	12.69	18.33	18.33	25.84	23.43	36.68
6.35 / 250	3.113	5.535	6.55	10.09	8.44	12.39	11.69	20.05	15.92	22.98	22.98	32.40	29.36	45.96
7.62 / 300	3.736	6.641	7.88	12.13	10.16	14.89	13.97	24.00	19.15	27.64	27.64	38.95	35.30	55.24
8.89 / 350	4.358	7.748	9.21	14.17	11.87	17.40	16.25	27.96	22.38	32.29	32.29	45.51	41.24	64.52
10.16 / 400	4.981	8.855	10.54	16.21	13.59	19.90	18.52	31.91	25.60	36.95	36.94	52.07	47.18	73.80
12.70 / 500	6.226	11.069	13.21	20.30	17.01	24.90	23.08	39.82	32.06	46.25	46.25	65.18	59.06	92.36
15.24 / 600	7.472	13.283	15.87	24.38	20.44	29.91	27.63	47.73	38.52	55.56	55.56	78.29	70.94	110.92
17.78 / 700	8.717	15.497	18.54	28.46	23.87	34.91	32.19	55.64	44.98	64.87	64.87	91.41	82.82	129.48
20.32 / 800	9.962	17.710	21.20	32.54	27.30	39.92	36.74	63.55	51.43	74.18	74.18	104.52	94.70	148.04
22.86 / 900	11.207	19.924	23.87	36.63	30.72	44.92	41.30	71.46	57.89	83.49	83.49	117.63	106.58	166.60
25.40 / 1000	12.453	22.138	26.53	40.71	34.15	49.93	45.85	79.37	64.35	92.80	92.80	130.75	118.46	185.16
27.94 / 1100	13.698	24.352	29.19	44.79	37.58	54.93	50.41	87.28	70.80	102.11	102.11	143.86	130.34	203.72
30.48 / 1200	14.943	26.566	31.86	48.87	41.01	59.94	54.96	95.19	77.26	111.42	111.42	156.97	142.22	222.28
33.02 / 1300	16.188	28.779	34.52	52.95	44.44	64.94	59.51	103.10	83.72	120.73	120.73	170.09	154.10	240.84
35.56 / 1400	17.434	30.993	37.19	57.04	47.86	69.95	64.07	111.01	90.17	130.04	130.04	183.20	165.97	259.40
38.10 / 1500	18.679	33.207	39.85	61.12	51.29	74.95	68.62	118.92	96.63	139.35	139.35	196.31	177.85	277.96

(Unit:feet)

Lens type			Zoom lens											
Projection lens Model No.			ET-D3QW300		ET-D3QS400		ET-D3QT500		ET-D3QT600		ET-D3QT700		ET-D3QT800	
Throw ratio*1			1.18-1.81:1		1.52-2.23:1		2.13-3.63:1		2.87-4.13:1		4.14-5.83:1		5.30-8.28:1	
Projection screen size			Projection distance (L)											
Diagonal (SD) [m] / [in]	Height (SH) [m]	Width (SW) [m]	min. [LW]	max. [LT]	min. [LW]	max. [LT]	min. [LW]	max. [LT]	min. [LW]	max. [LT]	min. [LW]	max. [LT]	min. [LW]	max. [LT]
2.54 / 100	1.245	2.214	8.36	13.02	10.83	16.02	15.95	26.86	20.45	29.59	29.58	41.75	37.88	59.45
3.05 / 120	1.494	2.657	10.11	15.70	13.08	19.31	18.94	32.05	24.69	35.69	35.69	50.36	45.67	71.62
3.81 / 150	1.868	3.321	12.73	19.71	16.45	24.23	23.42	39.83	31.04	44.86	44.85	63.27	57.37	89.89
5.08 / 200	2.491	4.428	17.10	26.41	22.08	32.44	30.89	52.81	41.63	60.13	60.12	84.78	76.85	120.34
6.35 / 250	3.113	5.535	21.48	33.11	27.70	40.66	38.36	65.78	52.23	75.40	75.40	106.29	96.34	150.78
7.62 / 300	3.736	6.641	25.85	39.80	33.32	48.87	45.83	78.75	62.82	90.67	90.67	127.80	115.83	181.23
8.89 / 350	4.358	7.748	30.22	46.50	38.95	57.08	53.31	91.73	73.41	105.94	105.94	149.31	135.31	211.68
10.16 / 400	4.981	8.855	34.59	53.20	44.57	65.29	60.78	104.70	84.00	121.21	121.21	170.82	154.80	242.12
12.70 / 500	6.226	11.069	43.33	66.59	55.82	81.71	75.72	130.65	105.19	151.75	151.75	213.84	193.77	303.01
15.24 / 600	7.472	13.283	52.07	79.98	67.06	98.13	90.66	156.60	126.37	182.29	182.29	256.87	232.75	363.91
17.78 / 700	8.717	15.497	60.81	93.38	78.31	114.55	105.60	182.55	147.56	212.84	212.83	299.89	271.72	424.80
20.32 / 800	9.962	17.710	69.56	106.77	89.56	130.97	120.55	208.50	168.74	243.38	243.38	342.91	310.69	485.69
22.86 / 900	11.207	19.924	78.30	120.16	100.80	147.39	135.49	234.45	189.92	273.92	273.92	385.93	349.66	546.58
25.40 / 1000	12.453	22.138	87.04	133.55	112.05	163.81	150.43	260.39	211.11	304.46	304.46	428.96	388.64	607.47
27.94 / 1100	13.698	24.352	95.78	146.95	123.29	180.23	165.37	286.34	232.29	335.00	335.00	471.98	427.61	668.37
30.48 / 1200	14.943	26.566	104.52	160.34	134.54	196.65	180.31	312.29	253.48	365.55	365.54	515.00	466.58	729.26
33.02 / 1300	16.188	28.779	113.27	173.73	145.79	213.07	195.26	338.24	274.66	396.09	396.09	558.02	505.56	790.15
35.56 / 1400	17.434	30.993	122.01	187.13	157.03	229.49	210.20	364.19	295.84	426.63	426.63	601.05	544.53	851.04
38.10 / 1500	18.679	33.207	130.75	200.52	168.28	245.91	225.14	390.14	317.03	457.17	457.17	644.07	583.50	911.93

*1 The throw ratio is based on the value during projection with the projected image size of 5.08 m (200").
 • The value for L (distance to screen) varies slightly within ±5% depending on the zoom lens characteristics.
 • When vertical keystone correction is used, the image is corrected in the direction that reduces its projected size.

NOTE

• For more information on D3QW200, please check D3QW200's specsheet.

Screen aspect ratio 4:3

(Unit:m)

Lens type			Zoom lens											
Projection lens Model No.			ET-D3QW300		ET-D3QS400		ET-D3QT500		ET-D3QT600		ET-D3QT700		ET-D3QT800	
Throw ratio*1			1.58-2.43:1		2.04-2.98:1		2.82-4.83:1		3.84 -5.53:1		5.54-7.80:1		7.06-11.06:1	
Projection screen size			Projection distance (L)											
Diagonal (SD) [m] / [in]	Height (SH) [m]	Width (SW) [m]	min. [LW]	max. [LT]	min. [LW]	max. [LT]	min. [LW]	max. [LT]	min. [LW]	max. [LT]	min. [LW]	max. [LT]	min. [LW]	max. [LT]
2.54 / 100	1.524	2.032	3.15	4.88	4.07	6.00	5.88	9.96	7.68	11.10	11.10	15.66	14.15	22.27
3.05 / 120	1.829	2.438	3.80	5.88	4.91	7.23	7.00	11.89	9.26	13.38	13.38	18.87	17.06	26.82
3.81 / 150	2.286	3.048	4.78	7.38	6.17	9.07	8.67	14.80	11.63	16.80	16.80	23.69	21.42	33.63
5.08 / 200	3.048	4.064	6.41	9.88	8.26	12.13	11.45	19.64	15.58	22.49	22.49	31.71	28.69	44.99
6.35 / 250	3.810	5.080	8.04	12.38	10.36	15.19	14.24	24.48	19.53	28.19	28.19	39.74	35.96	56.35
7.62 / 300	4.572	6.096	9.67	14.87	12.46	18.26	17.03	29.32	23.48	33.89	33.89	47.76	43.23	67.70
8.89 / 350	5.334	7.112	11.30	17.37	14.56	21.32	19.82	34.16	27.43	39.58	39.58	55.78	50.50	79.06
10.16 / 400	6.096	8.128	12.93	19.87	16.65	24.38	22.60	39.00	31.39	45.28	45.28	63.81	57.77	90.42
12.70 / 500	7.620	10.160	16.19	24.87	20.85	30.51	28.18	48.68	39.29	56.67	56.67	79.86	72.30	113.13
15.24 / 600	9.144	12.192	19.45	29.86	25.04	36.63	33.75	58.35	47.19	68.07	68.07	95.91	86.84	135.85
17.78 / 700	10.668	14.224	22.71	34.86	29.24	42.76	39.32	68.03	55.09	79.46	79.46	111.95	101.38	158.56
20.32 / 800	12.192	16.256	25.97	39.85	33.44	48.88	44.90	77.71	63.00	90.85	90.85	128.00	115.92	181.28
22.86 / 900	13.716	18.288	29.23	44.85	37.63	55.01	50.47	87.39	70.90	102.25	102.25	144.05	130.46	203.99
25.40 / 1000	15.240	20.320	32.49	49.85	41.83	61.13	56.05	97.07	78.80	113.64	113.64	160.10	145.00	226.70
27.94 / 1100	16.764	22.352	35.76	54.84	46.02	67.26	61.62	106.75	86.70	125.03	125.03	176.15	159.53	249.42
30.48 / 1200	18.288	24.384	39.02	59.84	50.22	73.38	67.19	116.43	94.60	136.43	136.42	192.20	174.07	272.13
33.02 / 1300	19.812	26.416	42.28	64.83	54.41	79.51	72.77	126.11	102.51	147.82	147.82	208.25	188.61	294.85
35.56 / 1400	21.336	28.448	45.54	69.83	58.61	85.63	78.34	135.79	110.41	159.21	159.21	224.29	203.15	317.56
38.10 / 1500	22.860	30.480	48.80	74.82	62.80	91.76	83.92	145.47	118.31	170.60	170.60	240.34	217.69	340.28

(Unit:feet)

Lens type			Zoom lens											
Projection lens Model No.			ET-D3QW300		ET-D3QS400		ET-D3QT500		ET-D3QT600		ET-D3QT700		ET-D3QT800	
Throw ratio*1			1.58-2.43:1		2.04-2.98:1		2.82-4.83:1		3.84 -5.53:1		5.54-7.80:1		7.06-11.06:1	
Projection screen size			Projection distance (L)											
Diagonal (SD) [m] / [in]	Height (SH) [m]	Width (SW) [m]	min. [LW]	max. [LT]	min. [LW]	max. [LT]	min. [LW]	max. [LT]	min. [LW]	max. [LT]	min. [LW]	max. [LT]	min. [LW]	max. [LT]
2.54 / 100	1.524	2.032	10.32	16.02	13.35	19.70	19.29	32.67	25.19	36.42	36.42	51.38	46.43	73.08
3.05 / 120	1.829	2.438	12.46	19.29	16.10	23.72	22.95	39.02	30.38	43.90	43.89	61.92	55.97	87.98
3.81 / 150	2.286	3.048	15.67	24.21	20.23	29.75	28.44	48.54	38.16	55.11	55.11	77.71	70.28	110.34
5.08 / 200	3.048	4.064	21.02	32.41	27.11	39.80	37.58	64.42	51.12	73.80	73.80	104.04	94.13	147.60
6.35 / 250	3.810	5.080	26.37	40.60	33.99	49.84	46.72	80.30	64.08	92.49	92.49	130.36	117.97	184.86
7.62 / 300	4.572	6.096	31.72	48.80	40.88	59.89	55.87	96.18	77.04	111.18	111.18	156.69	141.82	222.12
8.89 / 350	5.334	7.112	37.07	56.99	47.76	69.94	65.01	112.06	90.01	129.87	129.87	183.02	165.67	259.38
10.16 / 400	6.096	8.128	42.42	65.19	54.64	79.99	74.15	127.94	102.97	148.56	148.55	209.34	189.52	296.64
12.70 / 500	7.620	10.160	53.11	81.58	68.40	100.08	92.44	159.69	128.90	185.94	185.93	261.99	237.22	371.16
15.24 / 600	9.144	12.192	63.81	97.97	82.17	120.18	110.73	191.45	154.82	223.31	223.31	314.65	284.91	445.69
17.78 / 700	10.668	14.224	74.51	114.36	95.93	140.28	129.02	223.21	180.75	260.69	260.69	367.30	332.61	520.21
20.32 / 800	12.192	16.256	85.21	130.75	109.69	160.37	147.30	254.96	206.67	298.07	298.07	419.95	380.31	594.73
22.86 / 900	13.716	18.288	95.91	147.14	123.46	180.47	165.59	286.72	232.60	335.45	335.45	472.60	428.00	669.25
25.40 / 1000	15.240	20.320	106.61	163.53	137.22	200.56	183.88	318.48	258.53	372.83	372.82	525.26	475.70	743.77
27.94 / 1100	16.764	22.352	117.31	179.92	150.99	220.66	202.16	350.23	284.45	410.20	410.20	577.91	523.40	818.30
30.48 / 1200	18.288	24.384	128.00	196.31	164.75	240.75	220.45	381.99	310.38	447.58	447.58	630.56	571.09	892.82
33.02 / 1300	19.812	26.416	138.70	212.70	178.51	260.85	238.74	413.75	336.30	484.96	484.96	683.21	618.79	967.34
35.56 / 1400	21.336	28.448	149.40	229.09	192.28	280.95	257.02	445.50	362.23	522.34	522.34	735.87	666.49	1041.86
38.10 / 1500	22.860	30.480	160.10	245.49	206.04	301.04	275.31	477.26	388.16	559.72	559.72	788.52	714.18	1116.38

*1 The throw ratio is based on the value during projection with the projected image size of 5.08 m (200").
 • The value for L (distance to screen) varies slightly within ±5% depending on the zoom lens characteristics.
 • When vertical keystone correction is used, the image is corrected in the direction that reduces its projected size.

NOTE

• For more information on D3QW200, please check D3QW200's specsheet.

Calculation of the projection distance

To use a projected image size not listed in this manual, check the projected image size SD (m) and use the respective formula to calculate projection distance.

The unit of all the formulae is m. (Values obtained by the following calculation formulae contain a slight error.)

When calculating a projection distance using image size designation (Value in inches), multiply the value in inches by 0.0254 and substitute it into SD in the formula for calculating the projection distance.

Zoom lens

(Unit: m)

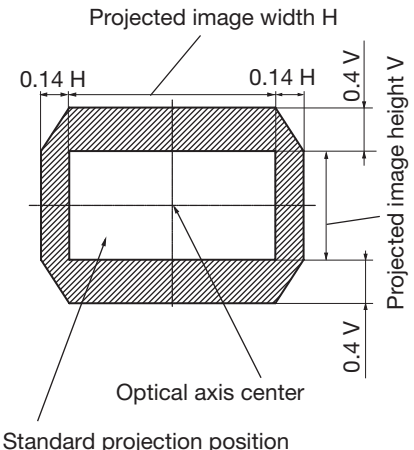
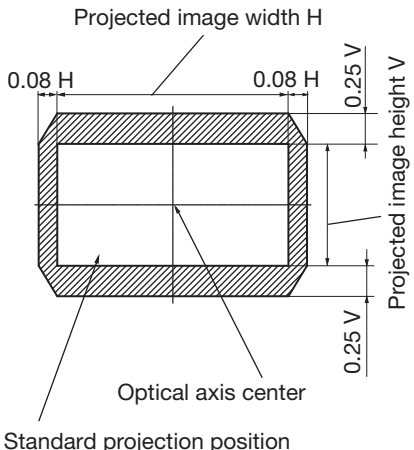
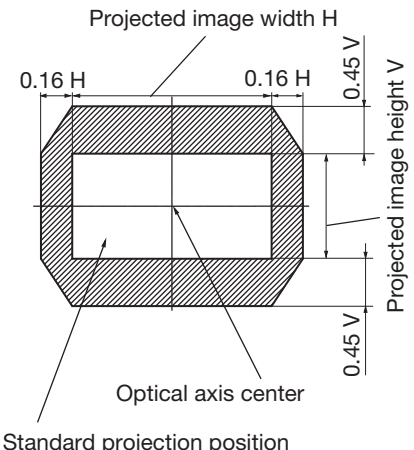
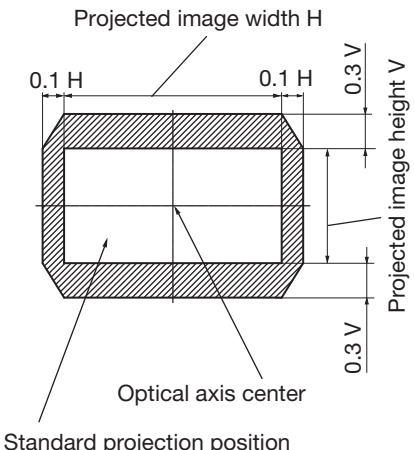
Projection lens Model No.	Throw ratio	Aspect ratio	Projection distance (L) calculation formula	
			Minimum (LW)	Maximum (LT)
ET-D3QW300	1.11-1.70:1	17 : 9	= 0.9981×SD - 0.1156	=1.5291×SD - 0.1143
	1.32-2.02:1	16 : 10	=1.1341×SD - 0.1156	=1.7374×SD - 0.1143
	1.18-1.81:1	16 : 9	=1.0490×SD - 0.1156	=1.6072×SD - 0.1143
	1.58-2.43:1	4 : 3	=1.2839×SD - 0.1156	=1.9669×SD - 0.1143
ET-D3QS400	1.43-2.09:1	17 : 9	=1.2841×SD - 0.1267	=1.8748×SD - 0.1207
	1.70-2.48:1	16 : 10	=1.4590×SD - 0.1267	=2.1302×SD - 0.1207
	1.52-2.23:1	16 : 9	=1.3496×SD - 0.1267	=1.9705×SD - 0.1207
	2.04-2.98:1	4 : 3	=1.6517×SD - 0.1267	=2.4115×SD - 0.1207
ET-D3QT500	2.00-3.41:1	17 : 9	=1.7060×SD + 0.3072	=2.9627×SD + 0.2772
	2.36-4.03:1	16 : 10	=1.9384×SD + 0.3072	=3.3663×SD + 0.2772
	2.13-3.63:1	16 : 9	=1.7931×SD + 0.3072	=3.1139×SD + 0.2772
	2.82-4.83:1	4 : 3	=2.1944×SD + 0.3072	=3.8109×SD + 0.2772
ET-D3QT600	2.69-3.88:1	17 : 9	=2.4187×SD - 0.2235	=3.4871×SD - 0.2915
	3.19-4.60:1	16 : 10	=2.7482×SD - 0.2235	=3.9621×SD - 0.2915
	2.87-4.13:1	16 : 9	=2.5421×SD - 0.2235	=3.6651×SD - 0.2915
	3.84-5.53:1	4 : 3	=3.1111×SD - 0.2235	=4.4855×SD - 0.2915
ET-D3QT700	3.89-5.47:1	17 : 9	=3.4871×SD - 0.2923	=4.9121×SD - 0.3863
	4.61-6.49:1	16 : 10	=3.9621×SD - 0.2923	=5.5812×SD - 0.3863
	4.14-5.83:1	16 : 9	=3.6651×SD - 0.2923	=5.1627×SD - 0.3863
	5.54-7.80:1	4 : 3	=4.4855×SD - 0.2923	=6.3184×SD - 0.3863
ET-D3QT800	4.97-7.76:1	17 : 9	=4.4498×SD - 0.3333	=6.9524×SD - 0.4407
	5.89-9.21:1	16 : 10	=5.0559×SD - 0.3333	=7.8994×SD - 0.4407
	5.30-8.28:1	16 : 9	=4.6768×SD - 0.3333	=7.3071×SD - 0.4407
	7.06-11.06:1	4 : 3	=5.7237×SD - 0.3333	=8.9427×SD - 0.4407

NOTE

• For more information on D3QW200, please check D3QW200's specs sheet.

Lens shift range

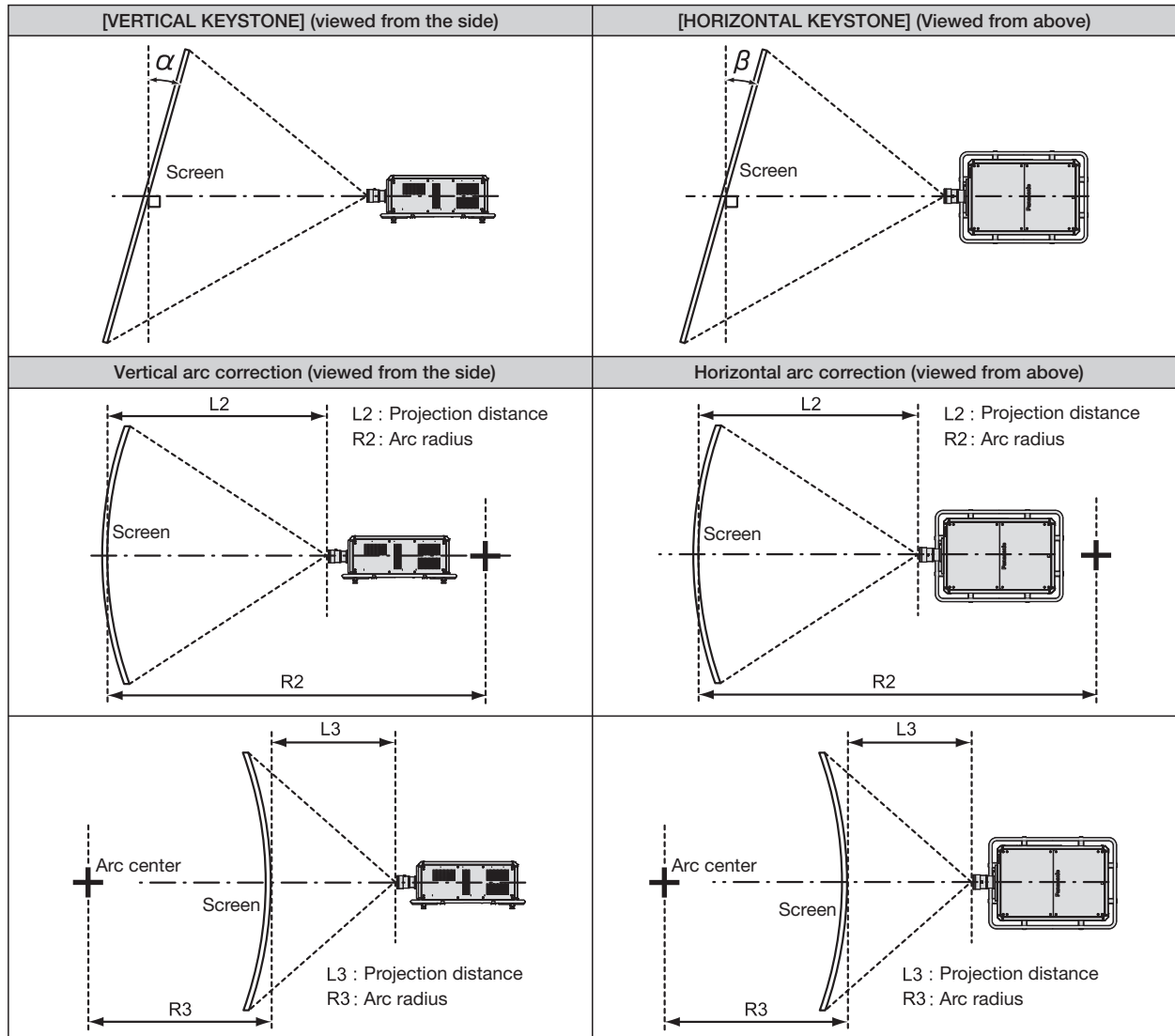
Optical axis shift function allows to shift the position of a projected image as shown below.

<p>Projection lens Model No.</p> <p>Lens shift range</p>	<p>ET-D3QW300</p>  <p>Projected image width H</p> <p>0.14 H</p> <p>0.14 H</p> <p>0.4 V</p> <p>Projected image height V</p> <p>Optical axis center</p> <p>Standard projection position</p>	<p>ET-D3QT600</p>  <p>Projected image width H</p> <p>0.08 H</p> <p>0.08 H</p> <p>0.25 V</p> <p>Projected image height V</p> <p>Optical axis center</p> <p>Standard projection position</p>
<p>Projection lens Model No.</p> <p>Lens shift range</p>	<p>ET-D3QS400, ET-D3QT500</p>  <p>Projected image width H</p> <p>0.16 H</p> <p>0.16 H</p> <p>0.45 V</p> <p>Projected image height V</p> <p>Optical axis center</p> <p>Standard projection position</p>	<p>ET-D3QT700, ET-D3QT800</p>  <p>Projected image width H</p> <p>0.1 H</p> <p>0.1 H</p> <p>0.3 V</p> <p>Projected image height V</p> <p>Optical axis center</p> <p>Standard projection position</p>

NOTE

• For more information on D3QW200, please check D3QW200's specsheet.

Keystone correction range



Projection lens Model No.	Only [KEYSTONE] used*1		[KEYSTONE] and [CURVED] used together*1				Only [CURVED] used	
	Vertical keystone correction angle α (°)	Horizontal keystone correction angle β (°)	Vertical keystone correction angle α (°)	Horizontal keystone correction angle β (°)	Min. value of R2/L2	Min. value of R3/L3	Min. value of R2/L2	Min. value of R3/L3
ET-D3QW300	±28	±15	±10	±10	1.2	3.0	0.7	1.7
ET-D3QS400	±40	±40	±20	±15	0.9	2.0	0.5	1.1
ET-D3QT500	±40	±40	±20	±15	0.9	2.0	0.5	1.1
ET-D3QT600	±40	±40	±20	±15	0.9	2.0	0.5	1.1
ET-D3QT700	±40	±40	±20	±15	0.9	2.0	0.5	1.1
ET-D3QT800	±40	±40	±20	±15	0.9	2.0	0.5	1.1

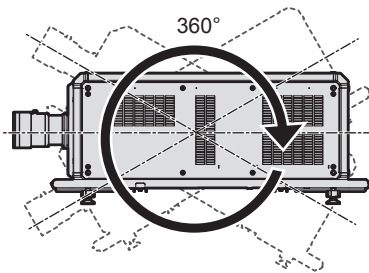
*1 When [VERTICAL KEYSTONE] and [HORIZONTAL KEYSTONE] are used simultaneously, correction cannot be made exceeding a total of 55°.

NOTE

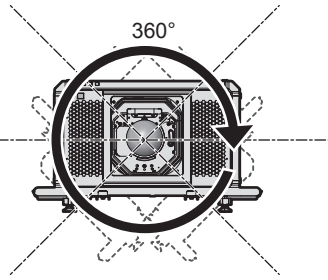
- When [GEOMETRY] is used, the focus of the entire screen may be lost as correction increases.
- Make the curved screen a circular arc shape with one part of a perfect circle removed.
- Adjustment range of the [GEOMETRY] items may not match the listed projection range depending on the projection lens. Use this projector within the projection range, otherwise the correction may not work.
 - The geometric adjustment function cannot be used when the video signal in simultaneous format is input.
- When installing the projector, follow the instructions below so that distortion does not occur in the projected image.
 - Use a flat screen.
 - Install the projector so that the front side of the projector is parallel to the screen.
 - Install the projector so that the image can be projected within the lens shift adjustment range.
- For more information on D3QW200, please check D3QW200's specsheet.

Installable angle

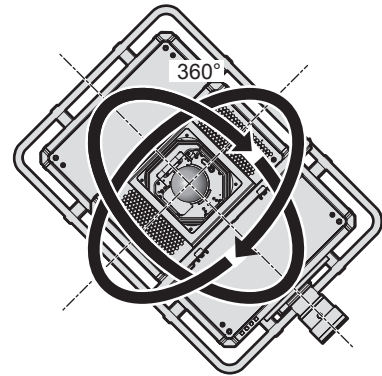
360° omnidirectional projection is possible.



Vertical 360-deg.



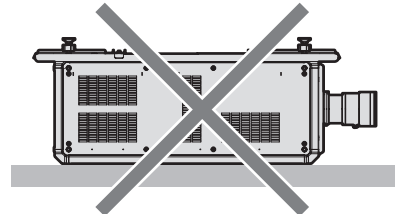
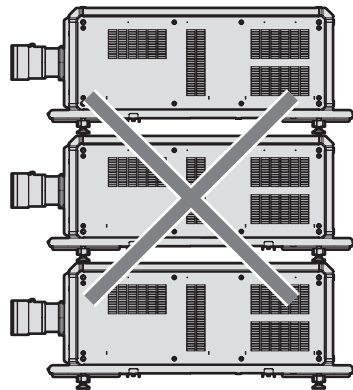
Horizontal 360-deg.



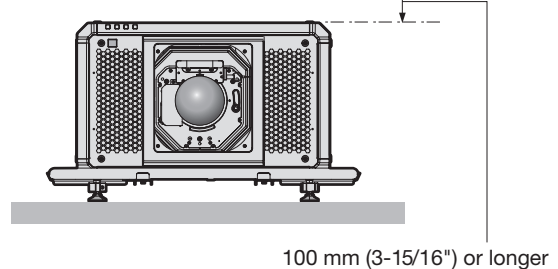
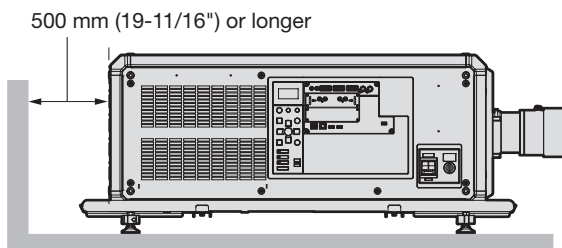
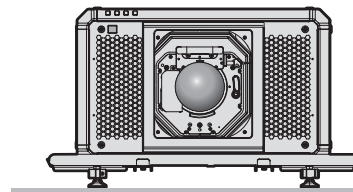
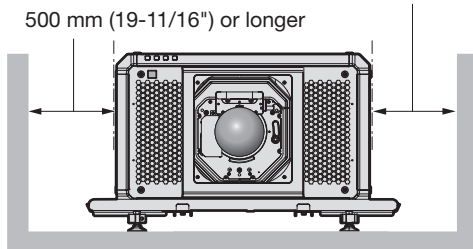
Tilting 360-deg.
(V&H combination)

Notes on installation

- Do not stack three or more projectors
- Do not simultaneously use projectors that are stacked on top of each other without a frame
- Do not use the projector supporting it by the top
- Do not block the ventilation ports (intake and exhaust) of the projector
- Prevent hot and cool air from the air conditioning system to blow directly into the ventilation ports (intake and exhaust) of the projector.



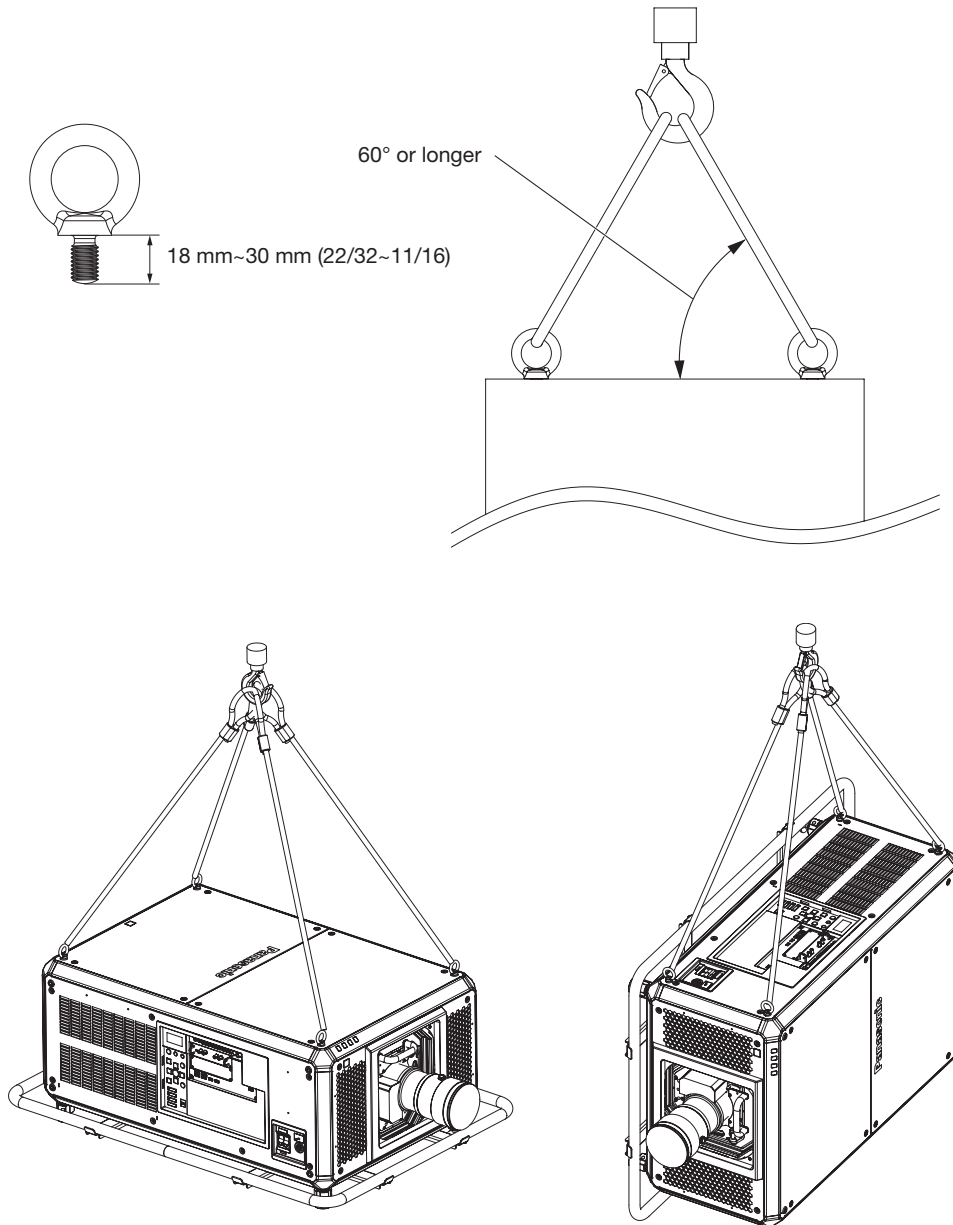
500 mm (19-11/16") or longer



- Do not install the projector in a confined space.
- When installing the projector in a confined space, provide air conditioning or ventilation separately. Exhaust heat may accumulate when the ventilation is not enough, triggering the protection circuit of the projector.
- Panasonic takes no responsibility for any damage to the product caused by an inappropriate choice of location for installing the projector, even if the warranty period of the product has not expired.

Cautions when conducting lifting work

- Use the eyebolts only when temporarily lifting the projector such as when installing the projector.
- Use ISO 3266 standard eyebolts (commercially available) for the M10 with an underhead length of 18 mm (23/32 inches) to 30 mm (1-3/16 inches). Also use ISO standard parts for other components to lift the projector (wires, etc.).
- Lift the projector using the eyebolts attached to 4 locations on the same plane.
- Set the lifting angle to 60° or more.



List of compatible signals

For details of DisplayPort signal, refer to “List of DisplayPort compatible signals.” For details of SDI signal, refer to “List of single link SDI compatible signals,” “List of dual link SDI compatible signals,” and “List of quad link SDI compatible signals”.

This projector supports the signal with ✓ in the compatible signal column.

- The content of the compatible signal column is as follows.
 - 1: Single link (displays one image using one input signal.)
 - 2: Quad link (displays one image using four input signals.)

Signal name (SIGNAL FORMAT)	Resolution (Dots)	Scanning freq.		Dot clock freq. (MHz)	Compatible signal				
		H (KHz)	V (Hz)		DIGITAL LINK	HDMI*1		DVI-D*2	
						1	1	2	1
480/60p	720 x 480	31.5	59.9	27.0	✓	✓	-	✓	-
576/50p	720 x 576	31.3	50.0	27.0	✓	✓	-	✓	-
720/50p	1280 x 720	37.5	50.0	74.3	✓	✓	-	✓	-
720/60p	1280 x 720	45.0	60.0 ³	74.3	✓	✓	-	✓	-
720/120p	1280 x 720	90.0	120.0 ³	148.5	-	✓	-	-	-
1080/50i	1920 x 1080i	28.1	50.0	74.3	✓	✓	-	✓	-
1080/60i	1920 x 1080i	33.8	60.0 ³	74.3	✓	✓	-	✓	-
1080/24p	1920 x 1080	27.0	24.0 ³	74.3	✓	✓	-	✓	-
1080/24sF	1920 x 1080i	27.0	48.0 ³	74.3	✓	✓	-	✓	-
1080/25p	1920 x 1080	28.1	25.0	74.3	✓	✓	-	✓	-
1080/30p	1920 x 1080	33.8	30.0 ³	74.3	✓	✓	-	✓	-
1080/50p	1920 x 1080	56.3	50.0	148.5	✓	✓	-	✓	-
1080/60p	1920 x 1080	67.5	60.0 ³	148.5	✓	✓	-	✓	-
1080/120p	1920 x 1080	135.0	120.0 ³	297.0	-	✓	-	-	-
2K/24p	2048 x 1080	27.0	24.0 ³	74.3	✓	✓	-	✓	-
2K/25p	2048 x 1080	28.1	25.0	74.3	✓	✓	-	✓	-
2K/30p	2048 x 1080	33.8	30.0 ³	74.3	✓	✓	-	✓	-
2K/48p	2048 x 1080	54.0	48.0 ³	148.5	✓	✓	-	✓	-
2K/50p	2048 x 1080	56.3	50.0	148.5	✓	✓	-	✓	-
2K/60p	2048 x 1080	67.5	60.0 ³	148.5	✓	✓	-	✓	-
3840 x 2160/24p	3840 x 2160	54.0	24.0 ³	297.0	✓	✓	✓	-	✓
3840 x 2160/25p	3840 x 2160	56.3	25.0	297.0	✓	✓	✓	-	✓
3840 x 2160/30p	3840 x 2160	67.5	30.0 ³	297.0	✓	✓	✓	-	✓
3840 x 2160/50p	3840 x 2160	112.5	50.0	297.0	✓*4	✓*4	-	-	-
	3840 x 2160	112.5	50.0	594.0	-	✓	✓	-	✓
3840 x 2160/60p	3840 x 2160	135.0	60.0 ³	297.0	✓*4	✓*4	-	-	-
	3840 x 2160	135.0	60.0 ³	594.0	-	✓	✓	-	✓
4096 x 2160/24p	4096 x 2160	54.0	24.0 ³	297.0	✓	✓	✓	-	✓
4096 x 2160/25p	4096 x 2160	56.3	25.0	297.0	✓	✓	✓	-	✓
4096 x 2160/30p	4096 x 2160	67.5	30.0 ³	297.0	✓	✓	✓	-	✓
4096 x 2160/50p	4096 x 2160	112.5	50.0	297.0	✓*4	✓*4	-	-	-
	4096 x 2160	112.5	50.0	594.0	-	✓	✓	-	✓
4096 x 2160/60p	4096 x 2160	135.0	60.0 ³	297.0	✓*4	✓*4	-	-	-
	4096 x 2160	135.0	60.0 ³	594.0	-	✓	✓	-	✓
640 x 480/60	640 x 480	31.5	59.9	25.2	✓	✓	-	✓	-
1024 x 768/50	1024 x 768	39.6	50.0	51.9	✓	✓	-	✓	-
1024 x 768/60	1024 x 768	48.4	60.0	65.0	✓	✓	-	✓	-
1280 x 800/50	1280 x 800	41.3	50.0	68.0	✓	✓	-	✓	-
1280 x 800/60	1280 x 800	49.7	59.8	83.5	✓	✓	-	✓	-
1280 x 1024/50	1280 x 1024	52.4	50.0	88.0	✓	✓	-	✓	-
1280 x 1024/60	1280 x 1024	64.0	60.0	108.0	✓	✓	-	✓	-
1366 x 768/50	1366 x 768	39.6	49.9	69.0	✓	✓	-	✓	-
1366 x 768/60	1366 x 768	47.7	59.8	85.5	✓	✓	-	✓	-
1400 x 1050/50	1400 x 1050	54.1	50.0	99.9	✓	✓	-	✓	-
1400 x 1050/60	1400 x 1050	65.2	60.0	122.6	✓	✓	-	✓	-
1440 x 900/50	1440 x 900	46.3	49.9	86.8	✓	✓	-	✓	-
1440 x 900/60	1440 x 900	55.9	59.9	106.5	✓	✓	-	✓	-

Signal name (SIGNAL FORMAT)	Resolution (Dots)	Scanning freq.		Dot clock freq. (MHz)	Compatible signal				
		H (KHz)	V (Hz)		DIGITAL LINK	HDMI*1		DVI-D*2	
						1	1	2	1
1600 x 900/50	1600 x 900	46.4	49.9	96.5	✓	✓	-	✓	-
1600 x 900/60	1600 x 900	55.9	60.0	119.0	✓	✓	-	✓	-
1600 x 1200/50	1600 x 1200	61.8	49.9	131.5	✓	✓	-	✓	-
1600 x 1200/60	1600 x 1200	75.0	60.0	162.0	✓	✓	-	✓	-
1680 x 1050/50	1680 x 1050	54.1	50.0	119.5	✓	✓	-	✓	-
1680 x 1050/60	1680 x 1050	65.3	60.0	146.3	✓	✓	-	✓	-
1920 x 1200/50	1920 x 1200	61.8	49.9	158.3	✓	✓	-	✓	-
1920 x 1200/60RB	1920 x 1200*5	74.0	60.0	154.0	✓	✓	-	✓	-

- *1 This is supported when the optional Interface Board for HDMI 2 input (Model No.: ET-MDNHM10) is installed in the slot.
Quad link is supported only when the optional Interface Board for HDMI 2 input (Model No.: ET-MDNHM10) is installed on both <SLOT 1> and <SLOT 2>.
- *2 This is supported when the optional Interface Board for DVI-D 2 input (Model No.: ET-MDNNDV10) is installed in the slot.
Quad link is supported only when the optional Interface Board for DVI-D 2 input (Model No.: ET-MDNNDV10) is installed on both <SLOT 1> and <SLOT 2>.
- *3 The signal with 1/1.001x vertical scanning frequency is also supported.
- *4 YPbPr 4:2:0 format only
- *5 VESA CVT-RB (Reduced Blanking)-compliant

NOTE

- The “i” at the end of the resolution indicates an interlaced signal.
- When interlaced signals are connected, flickering may occur on the projected image.
- Following settings will be disabled and fixed to [OFF] when an image with 720/120p or 1080/120p is being displayed.
- The [POSITION] menu → [GEOMETRY]

List of Plug and play compatible signals

The following table specifies the video signals compatible with plug and play.
 Signal with ✓ in the plug and play compatible signal column is the signal described in the EDID (extended display identification data) of the projector. For the signal without ✓ in the plug and play compatible signal column, the resolution may not be selected on the computer even if the projector is supporting it.

Signal name (SIGNAL FORMAT)	Resolution (Dots)	Scanning freq.		Dot clock freq. (MHz)	Plug and play Compatible signal								
		H (KHz)	V (Hz)		DIGITAL LINK			HDMI*1			DVI-D*2		
					4K/60p	4K/30p*3	2K	4K/60p*3	4K/30p	2K	EDID1	EDID2	EDID3
480/60p	720 x 480	31.5	59.9	27.0	✓	✓	✓	✓	✓	✓	✓	-	✓
576/50p	720 x 576	31.3	50.0	27.0	✓	✓	✓	✓	✓	✓	✓	-	✓
720/50p	1280 x 720	37.5	50.0	74.3	✓	✓	✓	✓	✓	✓	✓	-	✓
720/60p	1280 x 720	45.0	60.0	74.3	✓	✓	✓	✓	✓	✓	✓	-	✓
720/120p	1280 x 720	90.0	120.0	148.5	-	-	-	-	-	-	-	-	-
1080/50i	1920 x 1080i	28.1	50.0	74.3	✓	✓	✓	✓	✓	✓	✓	-	✓
1080/60i	1920 x 1080i	33.8	60.0	74.3	✓	✓	✓	✓	✓	✓	✓	-	✓
1080/24p	1920 x 1080	27.0	24.0	74.3	✓	✓	✓	✓	✓	✓	✓	-	✓
1080/24sF	1920 x 1080i	27.0	48.0	74.3	-	-	-	-	-	-	-	-	-
1080/25p	1920 x 1080	28.1	25.0	74.3	✓	✓	✓	✓	✓	✓	✓	-	✓
1080/30p	1920 x 1080	33.8	30.0	74.3	✓	✓	✓	✓	✓	✓	✓	-	✓
1080/50p	1920 x 1080	56.3	50.0	148.5	✓	✓	✓	✓	✓	✓	✓	-	✓
1080/60p	1920 x 1080	67.5	60.0	148.5	✓	✓	✓	✓	✓	✓	✓	-	✓
1080/120p	1920 x 1080	135.0	120.0	297.0	-	-	-	-	-	-	-	-	-
2K/24p	2048 x 1080	27.0	24.0	74.3	-	-	-	-	-	-	-	-	-
2K/25p	2048 x 1080	28.1	25.0	74.3	-	-	-	-	-	-	-	-	-
2K/30p	2048 x 1080	33.8	30.0	74.3	-	-	-	-	-	-	-	-	-
2K/48p	2048 x 1080	54.0	48.0	148.5	-	-	-	-	-	-	-	-	-
2K/50p	2048 x 1080	56.3	50.0	148.5	-	-	-	-	-	-	-	-	-
2K/60p	2048 x 1080	67.5	60.0	148.5	-	-	-	-	-	-	-	-	-
3840 x 2160/24p	3840 x 2160	54.0	24.0	297.0	✓	✓	-	✓	✓	-	-	-	-
3840 x 2160/25p	3840 x 2160	56.3	25.0	297.0	✓	✓	-	✓	✓	-	-	-	-
3840 x 2160/30p	3840 x 2160	67.5	30.0	297.0	✓	✓	-	✓	✓	-	-	-	-
3840 x 2160/50p	3840 x 2160	112.5	50.0	297.0	✓*5	-	-	✓*5	-	-	-	-	-
	3840 x 2160	112.5	50.0	594.0	-	-	-	✓	-	-	-	-	-
3840 x 2160/60p	3840 x 2160	135.0	60.0	297.0	✓*5	-	-	✓*5	-	-	-	-	-
	3840 x 2160	135.0	60.0	594.0	-	-	-	✓	-	-	-	-	-
4096 x 2160/24p	4096 x 2160	54.0	24.0	297.0	✓	✓	-	✓	✓	-	-	-	-
4096 x 2160/25p	4096 x 2160	56.3	25.0	297.0	✓	✓	-	✓	✓	-	-	-	-
4096 x 2160/30p	4096 x 2160	67.5	30.0	297.0	✓	✓	-	✓	✓	-	-	-	-
4096 x 2160/50p	4096 x 2160	112.5	50.0	297.0	✓*5	-	-	✓*5	-	-	-	-	-
	4096 x 2160	112.5	50.0	594.0	-	-	-	✓	-	-	-	-	-
4096 x 2160/60p	4096 x 2160	135.0	60.0	297.0	✓*5	-	-	✓*5	-	-	-	-	-
	4096 x 2160	135.0	60.0	594.0	-	-	-	✓	-	-	-	-	-
640 x 480/60	640 x 480	31.5	59.9	25.2	✓	✓	✓	✓	✓	✓	✓	✓	✓
1024 x 768/50	1024 x 768	39.6	50.0	51.9	-	-	-	-	-	-	-	-	-
1024 x 768/60	1024 x 768	48.4	60.0	65.0	✓	✓	✓	✓	✓	✓	-	✓	✓
1280 x 800/50	1280 x 800	41.3	50.0	68.0	-	-	-	-	-	-	-	-	-
1280 x 800/60	1280 x 800	49.7	59.8	83.5	-	-	-	-	-	-	-	-	-
1280 x 1024/50	1280 x 1024	52.4	50.0	88.0	-	-	-	-	-	-	-	-	-
1280 x 1024/60	1280 x 1024	64.0	60.0	108.0	-	-	-	-	-	-	-	-	-
1366 x 768/50	1366 x 768	39.6	49.9	69.0	-	-	-	-	-	-	-	-	-
1366 x 768/60	1366 x 768	47.7	59.8	85.5	-	-	-	-	-	-	-	-	-
1400 x 1050/50	1400 x 1050	54.1	50.0	99.9	-	-	-	-	-	-	-	-	-
1400 x 1050/60	1400 x 1050	65.2	60.0	122.6	✓	✓	✓	✓	✓	✓	-	✓	✓
1440 x 900/50	1440 x 900	46.3	49.9	86.8	-	-	-	-	-	-	-	-	-
1440 x 900/60	1440 x 900	55.9	59.9	106.5	-	-	-	-	-	-	-	-	-

Signal name (SIGNAL FORMAT)	Resolution (Dots)	Scanning freq.		Dot clock freq. (MHz)	Plug and play Compatible signal									
		H (KHz)	V (Hz)		DIGITAL LINK			HDMI*1			DVI-D*2			
					4K/60p	4K/30p*3	2K	4K/60p*3	4K/30p	2K	EDID1	EDID2	EDID3	
1600 x 900/50	1600 x 900	46.4	49.9	96.5	-	-	-	-	-	-	-	-	-	-
1600 x 900/60	1600 x 900	55.9	60.0	119.0	✓	✓	✓	✓	✓	✓	-	✓	✓	✓
1600 x 1200/50	1600 x 1200	61.8	49.9	131.5	-	-	-	-	-	-	-	-	-	-
1600 x 1200/60	1600 x 1200	75.0	60.0	162.0	✓	✓	✓	✓	✓	✓	-	✓	✓	✓
1680 x 1050/50	1680 x 1050	54.1	50.0	119.5	-	-	-	-	-	-	-	-	-	-
1680 x 1050/60	1680 x 1050	65.3	60.0	146.3	-	-	-	-	-	-	-	-	-	-
1920 x 1200/50	1920 x 1200	61.8	49.9	158.3	-	-	-	-	-	-	-	-	-	-
1920 x 1200/60RB	1920 x 1200*6	74.0	60.0	154.0	✓	✓	✓	✓	✓	✓	-	✓	✓	✓

*1 This is supported when the optional Interface Board for HDMI 2 input (Model No.: ET-MDNHM10) is installed in the slot.

*2 This is supported when the optional Interface Board for DVI-D 2 input (Model No.: ET-MDNVDV10) is installed in the slot.

*3 4K/30p indicates 4K/30p/SDR and 4K/30p/HDR.

*4 4K/60p indicates 4K/60p/SDR and 4K/60p/HDR.

*5 YPbPr 4:2:0 format only

*6 VESA CVT-RB (Reduced Blanking) compliant

List of DisplayPort compatible signals

The following table specifies the DisplayPort signals that the projector can project.

This is supported when the optional Interface Board for DisplayPort 2input (Model No.: ET-MDNDP10) is installed in the slot.

The following table specifies the video signals compatible with plug and play. Signal with ✓ in the plug and play compatible signal column is the signal described in the EDID (extended display identification data) of the projector. For the signal without ✓ in the plug and play compatible signal column, the resolution may not be selected on the computer even if the projector is supporting it.

Signal name (SIGNAL FORMAT)	Resolution (Dots)	Scanning freq.		Dot clock freq. (MHz)	Plug and play Compatible signal		
		H (KHz)	V (Hz)		4K/60p/HDR 4K/60p/SDR	4K/30p	2K
720/50p	1280 x 720	37.5	50.0	74.3	✓	✓	✓
720/60p	1280 x 720	45.0	60.0*1	74.3	✓	✓	✓
720/120p	1280 x 720	90.0	120.0*1	148.5	-	-	-
1080/24p	1920 x 1080	27.0	24.0*1	74.3	✓	✓	✓
1080/25p	1920 x 1080	28.1	25.0	74.3	✓	✓	✓
1080/30p	1920 x 1080	33.8	30.0*1	74.3	✓	✓	✓
1080/50p	1920 x 1080	56.3	50.0	148.5	✓	✓	✓
1080/60p	1920 x 1080	67.5	60.0*1	148.5	✓	✓	✓
1080/120p	1920 x 1080	135.0	120.0*1	297.0	-	-	-
2K/24p	2048 x 1080	27.0	24.0*1	74.3	-	-	-
2K/25p	2048 x 1080	28.1	25.0	74.3	-	-	-
2K/30p	2048 x 1080	33.8	30.0*1	74.3	-	-	-
2K/48p	2048 x 1080	54.0	48.0*1	148.5	-	-	-
2K/50p	2048 x 1080	56.3	50.0	148.5	-	-	-
2K/60p	2048 x 1080	67.5	60.0*1	148.5	-	-	-
3840 x 2160/24p	3840 x 2160	54.0	24.0*1	297.0	✓	✓	-
3840 x 2160/25p	3840 x 2160	56.3	25.0	297.0	✓	✓	-
3840 x 2160/30p	3840 x 2160	67.5	30.0*1	297.0	✓	✓	-
3840 x 2160/50p	3840 x 2160	112.5	50.0	594.0	✓	-	-
3840 x 2160/60p	3840 x 2160	135.0	60.0*1	594.0	✓	-	-
4096 x 2160/24p	4096 x 2160	54.0	24.0*1	297.0	✓	✓	-
4096 x 2160/25p	4096 x 2160	56.3	25.0	297.0	✓	✓	-
4096 x 2160/30p	4096 x 2160	67.5	30.0*1	297.0	✓	✓	-
4096 x 2160/50p	4096 x 2160	112.5	50.0	594.0	✓	-	-
4096 x 2160/60p	4096 x 2160	135.0	60.0*1	594.0	✓	-	-
640 x 480/60	640 x 480	31.5	59.9	25.2	✓	✓	✓
1024 x 768/50	1024 x 768	39.6	50.0	51.9	-	-	-
1024 x 768/60	1024 x 768	48.4	60.0	65.0	✓	✓	✓
1280 x 800/50	1280 x 800	41.3	50.0	68.0	-	-	-
1280 x 800/60	1280 x 800	49.7	59.8	83.5	-	-	-
1400 x 1050/50	1400 x 1050	54.1	50.0	99.9	-	-	-
1400 x 1050/60	1400 x 1050	65.2	60.0	122.6	✓	✓	✓
1600 x 900/50	1600 x 900	46.4	49.9	96.5	-	-	-
1600 x 900/60	1600 x 900	55.9	60.0	119.0	✓	✓	✓
1600 x 1200/50	1600 x 1200	61.8	49.9	131.5	-	-	-
1600 x 1200/60	1600 x 1200	75.0	60.0	162.0	✓	✓	✓
1920 x 1200/50	1920 x 1200	61.8	49.9	158.3	-	-	-
1920 x 1200/60RB	1920 x 1200*2	74.0	60.0	154.0	✓	✓	✓

*1 The signal with 1/1.001x vertical scanning frequency is also supported.

*2 VESA CVT-RB (Reduced Blanking) compliant

NOTE

- Following settings will be disabled and fixed to [OFF] when an image with 720/120p or 1080/120p is being displayed.
- The [POSITION] menu → [GEOMETRY]
- If connecting the projector to a computer that uses an early-type chipset or graphics card compatible with DisplayPort, the projector or computer may not be operated properly when the signal output from DisplayPort on the computer is input to the projector. In such a case, switch off the projector or computer and then switch it on. If the signal output from DisplayPort is input to the projector, use of the computer equipped with the latest chipset or graphics card is recommended.

List of Single link SDI compatible signals

The following table specifies the Single link SDI signals that the projector can project.

- The content of the 4K division column is as follows.
 - SQ: Square (transmission format of Square Division)
 - IL: Interleave (transmission format of 2-Sample Interleave Division)

Signal name (SIGNAL FORMAT)	Resolution (Dots)	Scanning freq.		Dot clock freq. (MHz)	4K division	Format	Color format	Sampling
		H (KHz)	V (Hz)					
720/50p	1280 x 720	37.5	50.0	74.3	-	HD-SDI	YPbPr	4 : 2 : 2 10bit
720/60p	1280 x 720	45.0	60.0*1	74.3	-	HD-SDI	YPbPr	4 : 2 : 2 10bit
1080/50i	1920 x 1080i	28.1	50.0	74.3	-	HD-SDI	YPbPr	4 : 2 : 2 10bit
	1920 x 1080i	28.1	50.0	74.3	-	3G-SDI Level-A	YPbPr	4 : 4 : 4 10bit
	1920 x 1080i	28.1	50.0	74.3	-	3G-SDI Level-B	YPbPr	4 : 4 : 4 10bit
	1920 x 1080i	28.1	50.0	74.3	-	3G-SDI Level-A	YPbPr	4 : 4 : 4 12bit
	1920 x 1080i	28.1	50.0	74.3	-	3G-SDI Level-B	YPbPr	4 : 4 : 4 12bit
	1920 x 1080i	28.1	50.0	74.3	-	3G-SDI Level-A	RGB	4 : 4 : 4 10bit
	1920 x 1080i	28.1	50.0	74.3	-	3G-SDI Level-B	RGB	4 : 4 : 4 10bit
	1920 x 1080i	28.1	50.0	74.3	-	3G-SDI Level-A	RGB	4 : 4 : 4 12bit
1080/60i	1920 x 1080i	33.8	60.0*1	74.3	-	HD-SDI	YPbPr	4 : 2 : 2 10bit
	1920 x 1080i	33.8	60.0*1	74.3	-	3G-SDI Level-A	YPbPr	4 : 4 : 4 10bit
	1920 x 1080i	33.8	60.0*1	74.3	-	3G-SDI Level-B	YPbPr	4 : 4 : 4 10bit
	1920 x 1080i	33.8	60.0*1	74.3	-	3G-SDI Level-A	YPbPr	4 : 4 : 4 12bit
	1920 x 1080i	33.8	60.0*1	74.3	-	3G-SDI Level-B	YPbPr	4 : 4 : 4 12bit
	1920 x 1080i	33.8	60.0*1	74.3	-	3G-SDI Level-A	RGB	4 : 4 : 4 10bit
	1920 x 1080i	33.8	60.0*1	74.3	-	3G-SDI Level-B	RGB	4 : 4 : 4 10bit
	1920 x 1080i	33.8	60.0*1	74.3	-	3G-SDI Level-A	RGB	4 : 4 : 4 12bit
1080/24p	1920 x 1080	27.0	24.0*1	74.3	-	HD-SDI	YPbPr	4 : 2 : 2 10bit
	1920 x 1080	27.0	24.0*1	74.3	-	3G-SDI Level-A	YPbPr	4 : 4 : 4 10bit
	1920 x 1080	27.0	24.0*1	74.3	-	3G-SDI Level-B	YPbPr	4 : 4 : 4 10bit
	1920 x 1080	27.0	24.0*1	74.3	-	3G-SDI Level-A	YPbPr	4 : 4 : 4 12bit
	1920 x 1080	27.0	24.0*1	74.3	-	3G-SDI Level-B	YPbPr	4 : 4 : 4 12bit
	1920 x 1080	27.0	24.0*1	74.3	-	3G-SDI Level-A	RGB	4 : 4 : 4 10bit
	1920 x 1080	27.0	24.0*1	74.3	-	3G-SDI Level-B	RGB	4 : 4 : 4 10bit
	1920 x 1080	27.0	24.0*1	74.3	-	3G-SDI Level-A	RGB	4 : 4 : 4 12bit
1080/24sF	1920 x 1080i	27.0	48.0*1	74.3	-	HD-SDI	YPbPr	4 : 2 : 2 10bit
	1920 x 1080i	27.0	48.0*1	74.3	-	3G-SDI Level-A	RGB	4 : 4 : 4 10bit
	1920 x 1080i	27.0	48.0*1	74.3	-	3G-SDI Level-B	RGB	4 : 4 : 4 10bit
	1920 x 1080i	27.0	48.0*1	74.3	-	3G-SDI Level-A	RGB	4 : 4 : 4 12bit
1080/25p	1920 x 1080	28.1	25.0	74.3	-	HD-SDI	YPbPr	4 : 2 : 2 10bit
	1920 x 1080	28.1	25.0	74.3	-	3G-SDI Level-A	YPbPr	4 : 4 : 4 10bit
	1920 x 1080	28.1	25.0	74.3	-	3G-SDI Level-B	YPbPr	4 : 4 : 4 10bit
	1920 x 1080	28.1	25.0	74.3	-	3G-SDI Level-A	YPbPr	4 : 4 : 4 12bit
	1920 x 1080	28.1	25.0	74.3	-	3G-SDI Level-B	YPbPr	4 : 4 : 4 12bit
	1920 x 1080	28.1	25.0	74.3	-	3G-SDI Level-A	RGB	4 : 4 : 4 10bit
	1920 x 1080	28.1	25.0	74.3	-	3G-SDI Level-B	RGB	4 : 4 : 4 10bit
	1920 x 1080	28.1	25.0	74.3	-	3G-SDI Level-A	RGB	4 : 4 : 4 12bit
1080/30p	1920 x 1080	33.8	30.0*1	74.3	-	HD-SDI	YPbPr	4 : 2 : 2 10bit
	1920 x 1080	33.8	30.0*1	74.3	-	3G-SDI Level-A	YPbPr	4 : 4 : 4 10bit
	1920 x 1080	33.8	30.0*1	74.3	-	3G-SDI Level-B	YPbPr	4 : 4 : 4 10bit
	1920 x 1080	33.8	30.0*1	74.3	-	3G-SDI Level-A	YPbPr	4 : 4 : 4 12bit
	1920 x 1080	33.8	30.0*1	74.3	-	3G-SDI Level-B	YPbPr	4 : 4 : 4 12bit
	1920 x 1080	33.8	30.0*1	74.3	-	3G-SDI Level-A	RGB	4 : 4 : 4 10bit
	1920 x 1080	33.8	30.0*1	74.3	-	3G-SDI Level-B	RGB	4 : 4 : 4 10bit
	1920 x 1080	33.8	30.0*1	74.3	-	3G-SDI Level-A	RGB	4 : 4 : 4 12bit

Signal name (SIGNAL FORMAT)	Resolution (Dots)	Scanning freq.		Dot clock freq. (MHz)	4K division	Format	Color format	Sampling
		H (KHz)	V (Hz)					
1080/50p	1920 x 1080	56.3	50.0	148.5	-	3G-SDI Level-A	YPbPr	4 : 2 : 2 10bit
	1920 x 1080	56.3	50.0	148.5	-	3G-SDI Level-B	YPbPr	4 : 2 : 2 10bit
	1920 x 1080 ^{*2}	56.3	50.0	148.5	-	6G-SDI Type 1	YPbPr	4 : 4 : 4 10bit
	1920 x 1080 ^{*2}	56.3	50.0	148.5	-	6G-SDI Type 1	YPbPr	4 : 4 : 4 12bit
	1920 x 1080 ^{*2}	56.3	50.0	148.5	-	6G-SDI Type 1	RGB	4 : 4 : 4 10bit
1080/60p	1920 x 1080	67.5	60.0 ^{*1}	148.5	-	3G-SDI Level-A	YPbPr	4 : 2 : 2 10bit
	1920 x 1080	67.5	60.0 ^{*1}	148.5	-	3G-SDI Level-B	YPbPr	4 : 2 : 2 10bit
	1920 x 1080 ^{*2}	67.5	60.0 ^{*1}	148.5	-	6G-SDI Type 1	YPbPr	4 : 4 : 4 10bit
	1920 x 1080 ^{*2}	67.5	60.0 ^{*1}	148.5	-	6G-SDI Type 1	YPbPr	4 : 4 : 4 12bit
	1920 x 1080 ^{*2}	67.5	60.0 ^{*1}	148.5	-	6G-SDI Type 1	RGB	4 : 4 : 4 10bit
2K/24p	2048 x 1080	27.0	24.0 ^{*1}	74.3	-	3G-SDI Level-A	YPbPr	4 : 4 : 4 10bit
	2048 x 1080	27.0	24.0 ^{*1}	74.3	-	3G-SDI Level-B	YPbPr	4 : 4 : 4 10bit
	2048 x 1080	27.0	24.0 ^{*1}	74.3	-	3G-SDI Level-A	YPbPr	4 : 4 : 4 12bit
	2048 x 1080	27.0	24.0 ^{*1}	74.3	-	3G-SDI Level-B	YPbPr	4 : 4 : 4 12bit
	2048 x 1080	27.0	24.0 ^{*1}	74.3	-	3G-SDI Level-A	RGB	4 : 4 : 4 10bit
	2048 x 1080	27.0	24.0 ^{*1}	74.3	-	3G-SDI Level-B	RGB	4 : 4 : 4 10bit
	2048 x 1080	27.0	24.0 ^{*1}	74.3	-	3G-SDI Level-A	RGB	4 : 4 : 4 12bit
2K/25p	2048 x 1080	28.1	25.0	74.3	-	3G-SDI Level-A	YPbPr	4 : 4 : 4 10bit
	2048 x 1080	28.1	25.0	74.3	-	3G-SDI Level-B	YPbPr	4 : 4 : 4 10bit
	2048 x 1080	28.1	25.0	74.3	-	3G-SDI Level-A	YPbPr	4 : 4 : 4 12bit
	2048 x 1080	28.1	25.0	74.3	-	3G-SDI Level-B	YPbPr	4 : 4 : 4 12bit
	2048 x 1080	28.1	25.0	74.3	-	3G-SDI Level-A	RGB	4 : 4 : 4 10bit
	2048 x 1080	28.1	25.0	74.3	-	3G-SDI Level-B	RGB	4 : 4 : 4 10bit
	2048 x 1080	28.1	25.0	74.3	-	3G-SDI Level-A	RGB	4 : 4 : 4 12bit
2K/30p	2048 x 1080	33.8	30.0 ^{*1}	74.3	-	3G-SDI Level-A	YPbPr	4 : 4 : 4 10bit
	2048 x 1080	33.8	30.0 ^{*1}	74.3	-	3G-SDI Level-B	YPbPr	4 : 4 : 4 10bit
	2048 x 1080	33.8	30.0 ^{*1}	74.3	-	3G-SDI Level-A	YPbPr	4 : 4 : 4 12bit
	2048 x 1080	33.8	30.0 ^{*1}	74.3	-	3G-SDI Level-B	YPbPr	4 : 4 : 4 12bit
	2048 x 1080	33.8	30.0 ^{*1}	74.3	-	3G-SDI Level-A	RGB	4 : 4 : 4 10bit
	2048 x 1080	33.8	30.0 ^{*1}	74.3	-	3G-SDI Level-B	RGB	4 : 4 : 4 10bit
	2048 x 1080	33.8	30.0 ^{*1}	74.3	-	3G-SDI Level-A	RGB	4 : 4 : 4 12bit
2K/48p	2048 x 1080	54.0	48.0 ^{*1}	148.5	-	3G-SDI Level-A	YPbPr	4 : 2 : 2 10bit
	2048 x 1080	54.0	48.0 ^{*1}	148.5	-	3G-SDI Level-B	YPbPr	4 : 2 : 2 10bit
2K/50p	2048 x 1080	56.3	50.0	148.5	-	3G-SDI Level-A	YPbPr	4 : 2 : 2 10bit
	2048 x 1080	56.3	50.0	148.5	-	3G-SDI Level-B	YPbPr	4 : 2 : 2 10bit
	2048 x 1080 ^{*2}	56.3	50.0	148.5	-	6G-SDI Type 1	YPbPr	4 : 4 : 4 10bit
	2048 x 1080 ^{*2}	56.3	50.0	148.5	-	6G-SDI Type 1	YPbPr	4 : 4 : 4 12bit
	2048 x 1080 ^{*2}	56.3	50.0	148.5	-	6G-SDI Type 1	RGB	4 : 4 : 4 10bit
2K/60p	2048 x 1080	67.5	60.0 ^{*1}	148.5	-	3G-SDI Level-A	YPbPr	4 : 2 : 2 10bit
	2048 x 1080	67.5	60.0 ^{*1}	148.5	-	3G-SDI Level-B	YPbPr	4 : 2 : 2 10bit
	2048 x 1080 ^{*2}	67.5	60.0 ^{*1}	148.5	-	6G-SDI Type 1	YPbPr	4 : 4 : 4 10bit
	2048 x 1080 ^{*2}	67.5	60.0 ^{*1}	148.5	-	6G-SDI Type 1	YPbPr	4 : 4 : 4 12bit
	2048 x 1080 ^{*2}	67.5	60.0 ^{*1}	148.5	-	6G-SDI Type 1	RGB	4 : 4 : 4 10bit

Signal name (SIGNAL FORMAT)	Resolution (Dots)	Scanning freq.		Dot clock freq. (MHz)	4K division	Format	Color format	Sampling
		H (KHz)	V (Hz)					
3840 x 2160/24p	3840 x 2160 ²	54.0	24.0*1	297.0	SQ	6G-SDI Type 2	YPbPr	4 : 2 : 2 10bit
	3840 x 2160 ²	54.0	24.0*1	297.0	IL	6G-SDI Type 2	YPbPr	4 : 2 : 2 10bit
	3840 x 2160 ²	54.0	24.0*1	297.0	SQ	12G-SDI Type 1	YPbPr	4 : 2 : 2 12bit
	3840 x 2160 ²	54.0	24.0*1	297.0	IL	12G-SDI Type 1	YPbPr	4 : 2 : 2 12bit
	3840 x 2160 ²	54.0	24.0*1	297.0	SQ	12G-SDI Type 1	YPbPr	4 : 4 : 4 10bit
	3840 x 2160 ²	54.0	24.0*1	297.0	IL	12G-SDI Type 1	YPbPr	4 : 4 : 4 10bit
	3840 x 2160 ²	54.0	24.0*1	297.0	SQ	12G-SDI Type 1	YPbPr	4 : 4 : 4 12bit
	3840 x 2160 ²	54.0	24.0*1	297.0	IL	12G-SDI Type 1	YPbPr	4 : 4 : 4 12bit
	3840 x 2160 ²	54.0	24.0*1	297.0	SQ	12G-SDI Type 1	RGB	4 : 4 : 4 10bit
	3840 x 2160 ²	54.0	24.0*1	297.0	IL	12G-SDI Type 1	RGB	4 : 4 : 4 10bit
	3840 x 2160 ²	54.0	24.0*1	297.0	SQ	12G-SDI Type 1	RGB	4 : 4 : 4 12bit
3840 x 2160/25p	3840 x 2160 ²	56.3	25.0	297.0	SQ	6G-SDI Type 2	YPbPr	4 : 2 : 2 10bit
	3840 x 2160 ²	56.3	25.0	297.0	IL	6G-SDI Type 2	YPbPr	4 : 2 : 2 10bit
	3840 x 2160 ²	56.3	25.0	297.0	SQ	12G-SDI Type 1	YPbPr	4 : 2 : 2 12bit
	3840 x 2160 ²	56.3	25.0	297.0	IL	12G-SDI Type 1	YPbPr	4 : 2 : 2 12bit
	3840 x 2160 ²	56.3	25.0	297.0	SQ	12G-SDI Type 1	YPbPr	4 : 4 : 4 10bit
	3840 x 2160 ²	56.3	25.0	297.0	IL	12G-SDI Type 1	YPbPr	4 : 4 : 4 10bit
	3840 x 2160 ²	56.3	25.0	297.0	SQ	12G-SDI Type 1	YPbPr	4 : 4 : 4 12bit
	3840 x 2160 ²	56.3	25.0	297.0	IL	12G-SDI Type 1	YPbPr	4 : 4 : 4 12bit
	3840 x 2160 ²	56.3	25.0	297.0	SQ	12G-SDI Type 1	RGB	4 : 4 : 4 10bit
	3840 x 2160 ²	56.3	25.0	297.0	IL	12G-SDI Type 1	RGB	4 : 4 : 4 10bit
	3840 x 2160 ²	56.3	25.0	297.0	SQ	12G-SDI Type 1	RGB	4 : 4 : 4 12bit
3840 x 2160/30p	3840 x 2160 ²	67.5	30.0*1	297.0	SQ	6G-SDI Type 2	YPbPr	4 : 2 : 2 10bit
	3840 x 2160 ²	67.5	30.0*1	297.0	IL	6G-SDI Type 2	YPbPr	4 : 2 : 2 10bit
	3840 x 2160 ²	67.5	30.0*1	297.0	SQ	12G-SDI Type 1	YPbPr	4 : 2 : 2 12bit
	3840 x 2160 ²	67.5	30.0*1	297.0	IL	12G-SDI Type 1	YPbPr	4 : 2 : 2 12bit
	3840 x 2160 ²	67.5	30.0*1	297.0	SQ	12G-SDI Type 1	YPbPr	4 : 4 : 4 10bit
	3840 x 2160 ²	67.5	30.0*1	297.0	IL	12G-SDI Type 1	YPbPr	4 : 4 : 4 10bit
	3840 x 2160 ²	67.5	30.0*1	297.0	SQ	12G-SDI Type 1	YPbPr	4 : 4 : 4 12bit
	3840 x 2160 ²	67.5	30.0*1	297.0	IL	12G-SDI Type 1	YPbPr	4 : 4 : 4 12bit
	3840 x 2160 ²	67.5	30.0*1	297.0	SQ	12G-SDI Type 1	RGB	4 : 4 : 4 10bit
	3840 x 2160 ²	67.5	30.0*1	297.0	IL	12G-SDI Type 1	RGB	4 : 4 : 4 10bit
	3840 x 2160 ²	67.5	30.0*1	297.0	SQ	12G-SDI Type 1	RGB	4 : 4 : 4 12bit
3840 x 2160/50p	3840 x 2160 ²	112.5	50.0	594.0	SQ	12G-SDI Type 1	YPbPr	4 : 2 : 2 10bit
	3840 x 2160 ²	112.5	50.0	594.0	IL	12G-SDI Type 1	YPbPr	4 : 2 : 2 10bit
3840 x 2160/60p	3840 x 2160 ²	135.0	60.0*1	594.0	SQ	12G-SDI Type 1	YPbPr	4 : 2 : 2 10bit
	3840 x 2160 ²	135.0	60.0*1	594.0	IL	12G-SDI Type 1	YPbPr	4 : 2 : 2 10bit
4096 x 2160/24p	4096 x 2160 ²	54.0	24.0*1	297.0	SQ	6G-SDI Type 2	YPbPr	4 : 2 : 2 10bit
	4096 x 2160 ²	54.0	24.0*1	297.0	IL	6G-SDI Type 2	YPbPr	4 : 2 : 2 10bit
	4096 x 2160 ²	54.0	24.0*1	297.0	SQ	12G-SDI Type 1	YPbPr	4 : 2 : 2 12bit
	4096 x 2160 ²	54.0	24.0*1	297.0	IL	12G-SDI Type 1	YPbPr	4 : 2 : 2 12bit
	4096 x 2160 ²	54.0	24.0*1	297.0	SQ	12G-SDI Type 1	YPbPr	4 : 4 : 4 10bit
	4096 x 2160 ²	54.0	24.0*1	297.0	IL	12G-SDI Type 1	YPbPr	4 : 4 : 4 10bit
	4096 x 2160 ²	54.0	24.0*1	297.0	SQ	12G-SDI Type 1	YPbPr	4 : 4 : 4 12bit
	4096 x 2160 ²	54.0	24.0*1	297.0	IL	12G-SDI Type 1	YPbPr	4 : 4 : 4 12bit
	4096 x 2160 ²	54.0	24.0*1	297.0	SQ	12G-SDI Type 1	RGB	4 : 4 : 4 10bit
	4096 x 2160 ²	54.0	24.0*1	297.0	IL	12G-SDI Type 1	RGB	4 : 4 : 4 10bit
	4096 x 2160 ²	54.0	24.0*1	297.0	SQ	12G-SDI Type 1	RGB	4 : 4 : 4 12bit
4096 x 2160 ²	54.0	24.0*1	297.0	IL	12G-SDI Type 1	RGB	4 : 4 : 4 12bit	

Signal name (SIGNAL FORMAT)	Resolution (Dots)	Scanning freq.		Dot clock freq. (MHz)	4K division	Format	Color format	Sampling
		H (KHz)	V (Hz)					
4096 x 2160/25p	4096 x 2160 ^{*2}	56.3	25.0	297.0	SQ	6G-SDI Type 2	YPbPr	4 : 2 : 2 10bit
	4096 x 2160 ^{*2}	56.3	25.0	297.0	IL	6G-SDI Type 2	YPbPr	4 : 2 : 2 10bit
	4096 x 2160 ^{*2}	56.3	25.0	297.0	SQ	12G-SDI Type 1	YPbPr	4 : 2 : 2 12bit
	4096 x 2160 ^{*2}	56.3	25.0	297.0	IL	12G-SDI Type 1	YPbPr	4 : 2 : 2 12bit
	4096 x 2160 ^{*2}	56.3	25.0	297.0	SQ	12G-SDI Type 1	YPbPr	4 : 4 : 4 10bit
	4096 x 2160 ^{*2}	56.3	25.0	297.0	IL	12G-SDI Type 1	YPbPr	4 : 4 : 4 10bit
	4096 x 2160 ^{*2}	56.3	25.0	297.0	SQ	12G-SDI Type 1	YPbPr	4 : 4 : 4 12bit
	4096 x 2160 ^{*2}	56.3	25.0	297.0	IL	12G-SDI Type 1	YPbPr	4 : 4 : 4 12bit
	4096 x 2160 ^{*2}	56.3	25.0	297.0	SQ	12G-SDI Type 1	RGB	4 : 4 : 4 10bit
	4096 x 2160 ^{*2}	56.3	25.0	297.0	IL	12G-SDI Type 1	RGB	4 : 4 : 4 10bit
	4096 x 2160 ^{*2}	56.3	25.0	297.0	SQ	12G-SDI Type 1	RGB	4 : 4 : 4 12bit
	4096 x 2160 ^{*2}	56.3	25.0	297.0	IL	12G-SDI Type 1	RGB	4 : 4 : 4 12bit
4096 x 2160/30p	4096 x 2160 ^{*2}	67.5	30.0 ^{*1}	297.0	SQ	6G-SDI Type 2	YPbPr	4 : 2 : 2 10bit
	4096 x 2160 ^{*2}	67.5	30.0 ^{*1}	297.0	IL	6G-SDI Type 2	YPbPr	4 : 2 : 2 10bit
	4096 x 2160 ^{*2}	67.5	30.0 ^{*1}	297.0	SQ	12G-SDI Type 1	YPbPr	4 : 2 : 2 12bit
	4096 x 2160 ^{*2}	67.5	30.0 ^{*1}	297.0	IL	12G-SDI Type 1	YPbPr	4 : 2 : 2 12bit
	4096 x 2160 ^{*2}	67.5	30.0 ^{*1}	297.0	SQ	12G-SDI Type 1	YPbPr	4 : 4 : 4 10bit
	4096 x 2160 ^{*2}	67.5	30.0 ^{*1}	297.0	IL	12G-SDI Type 1	YPbPr	4 : 4 : 4 10bit
	4096 x 2160 ^{*2}	67.5	30.0 ^{*1}	297.0	SQ	12G-SDI Type 1	YPbPr	4 : 4 : 4 12bit
	4096 x 2160 ^{*2}	67.5	30.0 ^{*1}	297.0	IL	12G-SDI Type 1	YPbPr	4 : 4 : 4 12bit
	4096 x 2160 ^{*2}	67.5	30.0 ^{*1}	297.0	SQ	12G-SDI Type 1	RGB	4 : 4 : 4 10bit
	4096 x 2160 ^{*2}	67.5	30.0 ^{*1}	297.0	IL	12G-SDI Type 1	RGB	4 : 4 : 4 10bit
4096 x 2160/50p	4096 x 2160 ^{*2}	112.5	50.0	594.0	SQ	12G-SDI Type 1	YPbPr	4 : 2 : 2 10bit
	4096 x 2160 ^{*2}	112.5	50.0	594.0	IL	12G-SDI Type 1	YPbPr	4 : 2 : 2 10bit
4096 x 2160/60p	4096 x 2160 ^{*2}	135.0	60.0 ^{*1}	594.0	SQ	12G-SDI Type 1	YPbPr	4 : 2 : 2 10bit
	4096 x 2160 ^{*2}	135.0	60.0 ^{*1}	594.0	IL	12G-SDI Type 1	YPbPr	4 : 2 : 2 10bit

*1 The signal with 1/1.001x vertical scanning frequency is also supported.

*2 Only the combination of the <SDI 1 IN> terminal and the <SDI 3 IN> terminal of the optional interface Board for 12G-SDI (Model No.:ET-MDN12G10) is supported.

List of Dual link SDI compatible signals

The following table specifies the dual signal SDI signals that the projector can project.

- The content of the 4K division column is as follows.
 - SQ: Square (transmission format of Square Division)
 - IL: Interleave (transmission format of 2-Sample Interleave Division)

Signal name (SIGNAL FORMAT)	Resolution (Dots)	Scanning freq.		Dot clock freq. (MHz)	4K division	Format	Color format	Sampling
		H (KHz)	V (Hz)					
1080/60p	1920 x 1080	67.5	60.0*1	148.5	-	HD-SDI	YPbPr	4 : 2 : 2 10bit
	1920 x 1080	67.5	60.0*1	148.5	-	3G-SDI Level-A	YPbPr	4 : 4 : 4 10bit
	1920 x 1080	67.5	60.0*1	148.5	-	3G-SDI Level-B	YPbPr	4 : 4 : 4 10bit
	1920 x 1080	67.5	60.0*1	148.5	-	3G-SDI Level-A	YPbPr	4 : 4 : 4 12bit
	1920 x 1080	67.5	60.0*1	148.5	-	3G-SDI Level-B	YPbPr	4 : 4 : 4 12bit
	1920 x 1080	67.5	60.0*1	148.5	-	3G-SDI Level-A	RGB	4 : 4 : 4 10bit
	1920 x 1080	67.5	60.0*1	148.5	-	3G-SDI Level-B	RGB	4 : 4 : 4 10bit
	1920 x 1080	67.5	60.0*1	148.5	-	3G-SDI Level-A	RGB	4 : 4 : 4 12bit
1080/50p	1920 x 1080	56.3	50.0	148.5	-	HD-SDI	YPbPr	4 : 2 : 2 10bit
	1920 x 1080	56.3	50.0	148.5	-	3G-SDI Level-A	YPbPr	4 : 4 : 4 10bit
	1920 x 1080	56.3	50.0	148.5	-	3G-SDI Level-B	YPbPr	4 : 4 : 4 10bit
	1920 x 1080	56.3	50.0	148.5	-	3G-SDI Level-A	YPbPr	4 : 4 : 4 12bit
	1920 x 1080	56.3	50.0	148.5	-	3G-SDI Level-B	YPbPr	4 : 4 : 4 12bit
	1920 x 1080	56.3	50.0	148.5	-	3G-SDI Level-A	RGB	4 : 4 : 4 10bit
	1920 x 1080	56.3	50.0	148.5	-	3G-SDI Level-B	RGB	4 : 4 : 4 10bit
	1920 x 1080	56.3	50.0	148.5	-	3G-SDI Level-A	RGB	4 : 4 : 4 12bit
2K/48p	2048 x 1080	54.0	48.0*1	148.5	-	3G-SDI Level-A	YPbPr	4 : 4 : 4 10bit
	2048 x 1080	54.0	48.0*1	148.5	-	3G-SDI Level-B	YPbPr	4 : 4 : 4 10bit
	2048 x 1080	54.0	48.0*1	148.5	-	3G-SDI Level-A	YPbPr	4 : 4 : 4 12bit
	2048 x 1080	54.0	48.0*1	148.5	-	3G-SDI Level-B	YPbPr	4 : 4 : 4 12bit
	2048 x 1080	54.0	48.0*1	148.5	-	3G-SDI Level-A	RGB	4 : 4 : 4 10bit
	2048 x 1080	54.0	48.0*1	148.5	-	3G-SDI Level-B	RGB	4 : 4 : 4 10bit
	2048 x 1080	54.0	48.0*1	148.5	-	3G-SDI Level-A	RGB	4 : 4 : 4 12bit
	2048 x 1080	54.0	48.0*1	148.5	-	3G-SDI Level-B	RGB	4 : 4 : 4 12bit
2K/50p	2048 x 1080	56.3	50.0	148.5	-	3G-SDI Level-A	YPbPr	4 : 4 : 4 10bit
	2048 x 1080	56.3	50.0	148.5	-	3G-SDI Level-B	YPbPr	4 : 4 : 4 10bit
	2048 x 1080	56.3	50.0	148.5	-	3G-SDI Level-A	YPbPr	4 : 4 : 4 12bit
	2048 x 1080	56.3	50.0	148.5	-	3G-SDI Level-B	YPbPr	4 : 4 : 4 12bit
	2048 x 1080	56.3	50.0	148.5	-	3G-SDI Level-A	RGB	4 : 4 : 4 10bit
	2048 x 1080	56.3	50.0	148.5	-	3G-SDI Level-B	RGB	4 : 4 : 4 10bit
	2048 x 1080	56.3	50.0	148.5	-	3G-SDI Level-A	RGB	4 : 4 : 4 12bit
	2048 x 1080	56.3	50.0	148.5	-	3G-SDI Level-B	RGB	4 : 4 : 4 12bit
2K/60p	2048 x 1080	67.5	60.0*1	148.5	-	3G-SDI Level-A	YPbPr	4 : 4 : 4 10bit
	2048 x 1080	67.5	60.0*1	148.5	-	3G-SDI Level-B	YPbPr	4 : 4 : 4 10bit
	2048 x 1080	67.5	60.0*1	148.5	-	3G-SDI Level-A	YPbPr	4 : 4 : 4 12bit
	2048 x 1080	67.5	60.0*1	148.5	-	3G-SDI Level-B	YPbPr	4 : 4 : 4 12bit
	2048 x 1080	67.5	60.0*1	148.5	-	3G-SDI Level-A	RGB	4 : 4 : 4 10bit
	2048 x 1080	67.5	60.0*1	148.5	-	3G-SDI Level-B	RGB	4 : 4 : 4 10bit
	2048 x 1080	67.5	60.0*1	148.5	-	3G-SDI Level-A	RGB	4 : 4 : 4 12bit
	2048 x 1080	67.5	60.0*1	148.5	-	3G-SDI Level-B	RGB	4 : 4 : 4 12bit

Signal name (SIGNAL FORMAT)	Resolution (Dots)	Scanning freq.		Dot clock freq. (MHz)	4K division	Format	Color format	Sampling
		H (KHz)	V (Hz)					
3840 x 2160/24p	3840 x 2160	54.0	24.0*1	297.0	SQ	3G-SDI Level-B Dual Stream	YPbPr	4 : 2 : 2 10bit
	3840 x 2160	54.0	24.0*1	297.0	IL	3G-SDI Level-B Dual Stream	YPbPr	4 : 2 : 2 10bit
	3840 x 2160 ²	54.0	24.0*1	297.0	SQ	6G-SDI Type 1	YPbPr	4 : 2 : 2 12bit
	3840 x 2160 ²	54.0	24.0*1	297.0	IL	6G-SDI Type 1	YPbPr	4 : 2 : 2 12bit
	3840 x 2160 ²	54.0	24.0*1	297.0	SQ	6G-SDI Type 1	YPbPr	4 : 4 : 4 10bit
	3840 x 2160 ²	54.0	24.0*1	297.0	IL	6G-SDI Type 1	YPbPr	4 : 4 : 4 10bit
	3840 x 2160 ²	54.0	24.0*1	297.0	SQ	6G-SDI Type 1	YPbPr	4 : 4 : 4 12bit
	3840 x 2160 ²	54.0	24.0*1	297.0	IL	6G-SDI Type 1	YPbPr	4 : 4 : 4 12bit
	3840 x 2160 ²	54.0	24.0*1	297.0	SQ	6G-SDI Type 1	RGB	4 : 4 : 4 10bit
	3840 x 2160 ²	54.0	24.0*1	297.0	IL	6G-SDI Type 1	RGB	4 : 4 : 4 10bit
	3840 x 2160 ²	54.0	24.0*1	297.0	SQ	6G-SDI Type 1	RGB	4 : 4 : 4 12bit
3840 x 2160/25p	3840 x 2160	56.3	25.0	297.0	SQ	3G-SDI Level-B Dual Stream	YPbPr	4 : 2 : 2 10bit
	3840 x 2160	56.3	25.0	297.0	IL	3G-SDI Level-B Dual Stream	YPbPr	4 : 2 : 2 10bit
	3840 x 2160 ²	56.3	25.0	297.0	SQ	6G-SDI Type 1	YPbPr	4 : 2 : 2 12bit
	3840 x 2160 ²	56.3	25.0	297.0	IL	6G-SDI Type 1	YPbPr	4 : 2 : 2 12bit
	3840 x 2160 ²	56.3	25.0	297.0	SQ	6G-SDI Type 1	YPbPr	4 : 4 : 4 10bit
	3840 x 2160 ²	56.3	25.0	297.0	IL	6G-SDI Type 1	YPbPr	4 : 4 : 4 10bit
	3840 x 2160 ²	56.3	25.0	297.0	SQ	6G-SDI Type 1	YPbPr	4 : 4 : 4 12bit
	3840 x 2160 ²	56.3	25.0	297.0	IL	6G-SDI Type 1	YPbPr	4 : 4 : 4 12bit
	3840 x 2160 ²	56.3	25.0	297.0	SQ	6G-SDI Type 1	RGB	4 : 4 : 4 10bit
	3840 x 2160 ²	56.3	25.0	297.0	IL	6G-SDI Type 1	RGB	4 : 4 : 4 10bit
	3840 x 2160 ²	56.3	25.0	297.0	SQ	6G-SDI Type 1	RGB	4 : 4 : 4 12bit
3840 x 2160/30p	3840 x 2160	56.3	30.0*1	297.0	SQ	3G-SDI Level-B Dual Stream	YPbPr	4 : 2 : 2 10bit
	3840 x 2160	56.3	30.0*1	297.0	IL	3G-SDI Level-B Dual Stream	YPbPr	4 : 2 : 2 10bit
	3840 x 2160 ²	56.3	30.0*1	297.0	SQ	6G-SDI Type 1	YPbPr	4 : 2 : 2 12bit
	3840 x 2160 ²	56.3	30.0*1	297.0	IL	6G-SDI Type 1	YPbPr	4 : 2 : 2 12bit
	3840 x 2160 ²	56.3	30.0*1	297.0	SQ	6G-SDI Type 1	YPbPr	4 : 4 : 4 10bit
	3840 x 2160 ²	56.3	30.0*1	297.0	IL	6G-SDI Type 1	YPbPr	4 : 4 : 4 10bit
	3840 x 2160 ²	56.3	30.0*1	297.0	SQ	6G-SDI Type 1	YPbPr	4 : 4 : 4 12bit
	3840 x 2160 ²	56.3	30.0*1	297.0	IL	6G-SDI Type 1	YPbPr	4 : 4 : 4 12bit
	3840 x 2160 ²	56.3	30.0*1	297.0	SQ	6G-SDI Type 1	RGB	4 : 4 : 4 10bit
	3840 x 2160 ²	56.3	30.0*1	297.0	IL	6G-SDI Type 1	RGB	4 : 4 : 4 10bit
	3840 x 2160 ²	56.3	30.0*1	297.0	SQ	6G-SDI Type 1	RGB	4 : 4 : 4 12bit
3840 x 2160/60p	3840 x 2160 ²	135.0	60.0*1	594.0	SQ	6G-SDI Type 1	YPbPr	4 : 2 : 2 10bit
	3840 x 2160 ²	135.0	60.0*1	594.0	IL	6G-SDI Type 1	YPbPr	4 : 2 : 2 10bit
3840 x 2160/50p	3840 x 2160 ²	112.5	50.0	594.0	SQ	6G-SDI Type 1	YPbPr	4 : 2 : 2 10bit
	3840 x 2160 ²	112.5	50.0	594.0	IL	6G-SDI Type 1	YPbPr	4 : 2 : 2 10bit
4096 x 2160/24p	4096 x 2160	54.0	24.0*1	297.0	SQ	3G-SDI Level-B Dual Stream	YPbPr	4 : 2 : 2 10bit
	4096 x 2160	54.0	24.0*1	297.0	IL	3G-SDI Level-B Dual Stream	YPbPr	4 : 2 : 2 10bit
	4096 x 2160 ²	54.0	24.0*1	297.0	SQ	6G-SDI Type 1	YPbPr	4 : 2 : 2 12bit
	4096 x 2160 ²	54.0	24.0*1	297.0	IL	6G-SDI Type 1	YPbPr	4 : 2 : 2 12bit
	4096 x 2160 ²	54.0	24.0*1	297.0	SQ	6G-SDI Type 1	YPbPr	4 : 4 : 4 10bit
	4096 x 2160 ²	54.0	24.0*1	297.0	IL	6G-SDI Type 1	YPbPr	4 : 4 : 4 10bit
	4096 x 2160 ²	54.0	24.0*1	297.0	SQ	6G-SDI Type 1	YPbPr	4 : 4 : 4 12bit
	4096 x 2160 ²	54.0	24.0*1	297.0	IL	6G-SDI Type 1	YPbPr	4 : 4 : 4 12bit
	4096 x 2160 ²	54.0	24.0*1	297.0	SQ	6G-SDI Type 1	RGB	4 : 4 : 4 10bit
	4096 x 2160 ²	54.0	24.0*1	297.0	IL	6G-SDI Type 1	RGB	4 : 4 : 4 10bit
	4096 x 2160 ²	54.0	24.0*1	297.0	SQ	6G-SDI Type 1	RGB	4 : 4 : 4 12bit

Signal name (SIGNAL FORMAT)	Resolution (Dots)	Scanning freq.		Dot clock freq. (MHz)	4K division	Format	Color format	Sampling
		H (KHz)	V (Hz)					
4096 x 2160/25p	4096 x 2160	56.3	25.0	297.0	SQ	3G-SDI Level-B Dual Stream	YPbPr	4 : 2 : 2 10bit
	4096 x 2160	56.3	25.0	297.0	IL	3G-SDI Level-B Dual Stream	YPbPr	4 : 2 : 2 10bit
	4096 x 2160*2	56.3	25.0	297.0	SQ	6G-SDI Type 1	YPbPr	4 : 2 : 2 12bit
	4096 x 2160*2	56.3	25.0	297.0	IL	6G-SDI Type 1	YPbPr	4 : 2 : 2 12bit
	4096 x 2160*2	56.3	25.0	297.0	SQ	6G-SDI Type 1	YPbPr	4 : 4 : 4 10bit
	4096 x 2160*2	56.3	25.0	297.0	IL	6G-SDI Type 1	YPbPr	4 : 4 : 4 10bit
	4096 x 2160*2	56.3	25.0	297.0	SQ	6G-SDI Type 1	YPbPr	4 : 4 : 4 12bit
	4096 x 2160*2	56.3	25.0	297.0	IL	6G-SDI Type 1	YPbPr	4 : 4 : 4 12bit
	4096 x 2160*2	56.3	25.0	297.0	SQ	6G-SDI Type 1	RGB	4 : 4 : 4 10bit
	4096 x 2160*2	56.3	25.0	297.0	IL	6G-SDI Type 1	RGB	4 : 4 : 4 10bit
	4096 x 2160*2	56.3	25.0	297.0	SQ	6G-SDI Type 1	RGB	4 : 4 : 4 12bit
4096 x 2160/30p	4096 x 2160	67.5	30.0*1	297.0	SQ	3G-SDI Level-B Dual Stream	YPbPr	4 : 2 : 2 10bit
	4096 x 2160	67.5	30.0*1	297.0	IL	3G-SDI Level-B Dual Stream	YPbPr	4 : 2 : 2 10bit
	4096 x 2160*2	67.5	30.0*1	297.0	SQ	6G-SDI Type 1	YPbPr	4 : 2 : 2 12bit
	4096 x 2160*2	67.5	30.0*1	297.0	IL	6G-SDI Type 1	YPbPr	4 : 2 : 2 12bit
	4096 x 2160*2	67.5	30.0*1	297.0	SQ	6G-SDI Type 1	YPbPr	4 : 4 : 4 10bit
	4096 x 2160*2	67.5	30.0*1	297.0	IL	6G-SDI Type 1	YPbPr	4 : 4 : 4 10bit
	4096 x 2160*2	67.5	30.0*1	297.0	SQ	6G-SDI Type 1	YPbPr	4 : 4 : 4 12bit
	4096 x 2160*2	67.5	30.0*1	297.0	IL	6G-SDI Type 1	YPbPr	4 : 4 : 4 12bit
	4096 x 2160*2	67.5	30.0*1	297.0	SQ	6G-SDI Type 1	RGB	4 : 4 : 4 10bit
	4096 x 2160*2	67.5	30.0*1	297.0	IL	6G-SDI Type 1	RGB	4 : 4 : 4 10bit
	4096 x 2160*2	67.5	30.0*1	297.0	SQ	6G-SDI Type 1	RGB	4 : 4 : 4 12bit
4096 x 2160/50p	4096 x 2160*2	112.5	50.0	594.0	SQ	6G-SDI Type 1	YPbPr	4 : 2 : 2 10bit
	4096 x 2160*2	112.5	50.0	594.0	IL	6G-SDI Type 1	YPbPr	4 : 2 : 2 10bit
4096 x 2160/60p	4096 x 2160*2	135.0	60.0*1	594.0	SQ	6G-SDI Type 1	YPbPr	4 : 2 : 2 10bit
	4096 x 2160*2	135.0	60.0*1	594.0	IL	6G-SDI Type 1	YPbPr	4 : 2 : 2 10bit

*1 The signal with 1/1.001x vertical scanning frequency is also supported.

*2 Only the combination of the <SDI 1 IN> terminal and the <SDI 3 IN> terminal of the optional interface Board for 12G-SDI (Model No.:ET-MDN12G10) is supported.

List of Quad link SDI compatible signals

The following table specifies the quad link SDI signals that the projector can project. In addition to the standard SDI input,

- The content of the 4K division column is as follows.
 - SQ: Square (transmission format of Square Division)
 - IL: Interleave (transmission format of 2-Sample Interleave Division)

Signal name (SIGNAL FORMAT)	Resolution (Dots)	Scanning freq.		Dot clock freq. (MHz)	4K division	Format	Color format	Sampling
		H (KHz)	V (Hz)					
3840 x 2160/24p	3840 x 2160	54.0	24.0*1	297.0	SQ	HD-SDI	YPbPr	4 : 2 : 2 10bit
	3840 x 2160	54.0	24.0*1	297.0	SQ	3G-SDI Level-A	YPbPr	4 : 2 : 2 12bit
	3840 x 2160	54.0	24.0*1	297.0	IL	3G-SDI Level-A	YPbPr	4 : 2 : 2 12bit
	3840 x 2160	54.0	24.0*1	297.0	SQ	3G-SDI Level-B	YPbPr	4 : 2 : 2 12bit
	3840 x 2160	54.0	24.0*1	297.0	IL	3G-SDI Level-B	YPbPr	4 : 2 : 2 12bit
	3840 x 2160	54.0	24.0*1	297.0	SQ	3G-SDI Level-A	YPbPr	4 : 4 : 4 10bit
	3840 x 2160	54.0	24.0*1	297.0	IL	3G-SDI Level-A	YPbPr	4 : 4 : 4 10bit
	3840 x 2160	54.0	24.0*1	297.0	SQ	3G-SDI Level-B	YPbPr	4 : 4 : 4 10bit
	3840 x 2160	54.0	24.0*1	297.0	IL	3G-SDI Level-B	YPbPr	4 : 4 : 4 10bit
	3840 x 2160	54.0	24.0*1	297.0	SQ	3G-SDI Level-A	YPbPr	4 : 4 : 4 12bit
	3840 x 2160	54.0	24.0*1	297.0	IL	3G-SDI Level-A	YPbPr	4 : 4 : 4 12bit
	3840 x 2160	54.0	24.0*1	297.0	SQ	3G-SDI Level-B	YPbPr	4 : 4 : 4 12bit
	3840 x 2160	54.0	24.0*1	297.0	IL	3G-SDI Level-B	YPbPr	4 : 4 : 4 12bit
	3840 x 2160	54.0	24.0*1	297.0	SQ	3G-SDI Level-A	RGB	4 : 4 : 4 10bit
	3840 x 2160	54.0	24.0*1	297.0	IL	3G-SDI Level-A	RGB	4 : 4 : 4 10bit
	3840 x 2160	54.0	24.0*1	297.0	SQ	3G-SDI Level-B	RGB	4 : 4 : 4 10bit
	3840 x 2160	54.0	24.0*1	297.0	IL	3G-SDI Level-B	RGB	4 : 4 : 4 10bit
	3840 x 2160/25p	3840 x 2160	56.3	25.0	297.0	SQ	HD-SDI	YPbPr
3840 x 2160		56.3	25.0	297.0	SQ	3G-SDI Level-A	YPbPr	4 : 2 : 2 12bit
3840 x 2160		56.3	25.0	297.0	IL	3G-SDI Level-A	YPbPr	4 : 2 : 2 12bit
3840 x 2160		56.3	25.0	297.0	SQ	3G-SDI Level-B	YPbPr	4 : 2 : 2 12bit
3840 x 2160		56.3	25.0	297.0	IL	3G-SDI Level-B	YPbPr	4 : 2 : 2 12bit
3840 x 2160		56.3	25.0	297.0	SQ	3G-SDI Level-A	YPbPr	4 : 4 : 4 10bit
3840 x 2160		56.3	25.0	297.0	IL	3G-SDI Level-A	YPbPr	4 : 4 : 4 10bit
3840 x 2160		56.3	25.0	297.0	SQ	3G-SDI Level-B	YPbPr	4 : 4 : 4 10bit
3840 x 2160		56.3	25.0	297.0	IL	3G-SDI Level-B	YPbPr	4 : 4 : 4 10bit
3840 x 2160		56.3	25.0	297.0	SQ	3G-SDI Level-A	YPbPr	4 : 4 : 4 12bit
3840 x 2160		56.3	25.0	297.0	IL	3G-SDI Level-A	YPbPr	4 : 4 : 4 12bit
3840 x 2160		56.3	25.0	297.0	SQ	3G-SDI Level-B	YPbPr	4 : 4 : 4 12bit
3840 x 2160		56.3	25.0	297.0	IL	3G-SDI Level-B	YPbPr	4 : 4 : 4 12bit
3840 x 2160		56.3	25.0	297.0	SQ	3G-SDI Level-A	RGB	4 : 4 : 4 10bit
3840 x 2160		56.3	25.0	297.0	IL	3G-SDI Level-A	RGB	4 : 4 : 4 10bit
3840 x 2160		56.3	25.0	297.0	SQ	3G-SDI Level-B	RGB	4 : 4 : 4 10bit
3840 x 2160		56.3	25.0	297.0	IL	3G-SDI Level-B	RGB	4 : 4 : 4 10bit
3840 x 2160		56.3	25.0	297.0	SQ	3G-SDI Level-A	RGB	4 : 4 : 4 12bit
3840 x 2160	56.3	25.0	297.0	IL	3G-SDI Level-A	RGB	4 : 4 : 4 12bit	
3840 x 2160	56.3	25.0	297.0	SQ	3G-SDI Level-B	RGB	4 : 4 : 4 12bit	
3840 x 2160	56.3	25.0	297.0	IL	3G-SDI Level-B	RGB	4 : 4 : 4 12bit	

Signal name (SIGNAL FORMAT)	Resolution (Dots)	Scanning freq.		Dot clock freq. (MHz)	4K division	Format	Color format	Sampling
		H (KHz)	V (Hz)					
3840 x 2160/30p	3840 x 2160	67.5	30.0*1	297.0	SQ	HD-SDI	YPbPr	4 : 2 : 2 10bit
	3840 x 2160	67.5	30.0*1	297.0	SQ	3G-SDI Level-A	YPbPr	4 : 2 : 2 12bit
	3840 x 2160	67.5	30.0*1	297.0	IL	3G-SDI Level-A	YPbPr	4 : 2 : 2 12bit
	3840 x 2160	67.5	30.0*1	297.0	SQ	3G-SDI Level-B	YPbPr	4 : 2 : 2 12bit
	3840 x 2160	67.5	30.0*1	297.0	IL	3G-SDI Level-B	YPbPr	4 : 2 : 2 12bit
	3840 x 2160	67.5	30.0*1	297.0	SQ	3G-SDI Level-A	YPbPr	4 : 4 : 4 10bit
	3840 x 2160	67.5	30.0*1	297.0	IL	3G-SDI Level-A	YPbPr	4 : 4 : 4 10bit
	3840 x 2160	67.5	30.0*1	297.0	SQ	3G-SDI Level-B	YPbPr	4 : 4 : 4 10bit
	3840 x 2160	67.5	30.0*1	297.0	IL	3G-SDI Level-B	YPbPr	4 : 4 : 4 10bit
	3840 x 2160	67.5	30.0*1	297.0	SQ	3G-SDI Level-A	YPbPr	4 : 4 : 4 12bit
	3840 x 2160	67.5	30.0*1	297.0	IL	3G-SDI Level-A	YPbPr	4 : 4 : 4 12bit
	3840 x 2160	67.5	30.0*1	297.0	SQ	3G-SDI Level-B	YPbPr	4 : 4 : 4 12bit
	3840 x 2160	67.5	30.0*1	297.0	IL	3G-SDI Level-B	YPbPr	4 : 4 : 4 12bit
	3840 x 2160	67.5	30.0*1	297.0	SQ	3G-SDI Level-A	RGB	4 : 4 : 4 10bit
	3840 x 2160	67.5	30.0*1	297.0	IL	3G-SDI Level-A	RGB	4 : 4 : 4 10bit
	3840 x 2160	67.5	30.0*1	297.0	SQ	3G-SDI Level-B	RGB	4 : 4 : 4 10bit
	3840 x 2160	67.5	30.0*1	297.0	IL	3G-SDI Level-B	RGB	4 : 4 : 4 10bit
	3840 x 2160	67.5	30.0*1	297.0	SQ	3G-SDI Level-A	RGB	4 : 4 : 4 12bit
	3840 x 2160	67.5	30.0*1	297.0	IL	3G-SDI Level-A	RGB	4 : 4 : 4 12bit
	3840 x 2160/50p	3840 x 2160	112.5	50.0	594.0	SQ	3G-SDI Level-A	YPbPr
3840 x 2160		112.5	50.0	594.0	IL	3G-SDI Level-A	YPbPr	4 : 2 : 2 10bit
3840 x 2160		112.5	50.0	594.0	SQ	3G-SDI Level-B	YPbPr	4 : 2 : 2 10bit
3840 x 2160		112.5	50.0	594.0	IL	3G-SDI Level-B	YPbPr	4 : 2 : 2 10bit
3840 x 2160/60p	3840 x 2160	135.0	60.0*1	594.0	SQ	3G-SDI Level-A	YPbPr	4 : 2 : 2 10bit
	3840 x 2160	135.0	60.0*1	594.0	IL	3G-SDI Level-A	YPbPr	4 : 2 : 2 10bit
	3840 x 2160	135.0	60.0*1	594.0	SQ	3G-SDI Level-B	YPbPr	4 : 2 : 2 10bit
	3840 x 2160	135.0	60.0*1	594.0	IL	3G-SDI Level-B	YPbPr	4 : 2 : 2 10bit
4096 x 2160/24p	4096 x 2160	54.0	24.0*1	297.0	SQ	HD-SDI	YPbPr	4 : 2 : 2 10bit
	4096 x 2160	54.0	24.0*1	297.0	SQ	3G-SDI Level-A	YPbPr	4 : 2 : 2 12bit
	4096 x 2160	54.0	24.0*1	297.0	IL	3G-SDI Level-A	YPbPr	4 : 2 : 2 12bit
	4096 x 2160	54.0	24.0*1	297.0	SQ	3G-SDI Level-B	YPbPr	4 : 2 : 2 12bit
	4096 x 2160	54.0	24.0*1	297.0	IL	3G-SDI Level-B	YPbPr	4 : 2 : 2 12bit
	4096 x 2160	54.0	24.0*1	297.0	SQ	3G-SDI Level-A	YPbPr	4 : 4 : 4 10bit
	4096 x 2160	54.0	24.0*1	297.0	IL	3G-SDI Level-A	YPbPr	4 : 4 : 4 10bit
	4096 x 2160	54.0	24.0*1	297.0	SQ	3G-SDI Level-B	YPbPr	4 : 4 : 4 10bit
	4096 x 2160	54.0	24.0*1	297.0	IL	3G-SDI Level-B	YPbPr	4 : 4 : 4 10bit
	4096 x 2160	54.0	24.0*1	297.0	SQ	3G-SDI Level-A	YPbPr	4 : 4 : 4 12bit
	4096 x 2160	54.0	24.0*1	297.0	IL	3G-SDI Level-A	YPbPr	4 : 4 : 4 12bit
	4096 x 2160	54.0	24.0*1	297.0	SQ	3G-SDI Level-B	YPbPr	4 : 4 : 4 12bit
	4096 x 2160	54.0	24.0*1	297.0	IL	3G-SDI Level-B	YPbPr	4 : 4 : 4 12bit
	4096 x 2160	54.0	24.0*1	297.0	SQ	3G-SDI Level-A	RGB	4 : 4 : 4 10bit
	4096 x 2160	54.0	24.0*1	297.0	IL	3G-SDI Level-A	RGB	4 : 4 : 4 10bit
	4096 x 2160	54.0	24.0*1	297.0	SQ	3G-SDI Level-B	RGB	4 : 4 : 4 10bit
	4096 x 2160	54.0	24.0*1	297.0	IL	3G-SDI Level-B	RGB	4 : 4 : 4 10bit
	4096 x 2160	54.0	24.0*1	297.0	SQ	3G-SDI Level-A	RGB	4 : 4 : 4 12bit
	4096 x 2160	54.0	24.0*1	297.0	IL	3G-SDI Level-A	RGB	4 : 4 : 4 12bit
	4096 x 2160	54.0	24.0*1	297.0	SQ	3G-SDI Level-B	RGB	4 : 4 : 4 12bit
4096 x 2160	54.0	24.0*1	297.0	IL	3G-SDI Level-B	RGB	4 : 4 : 4 12bit	

Signal name (SIGNAL FORMAT)	Resolution (Dots)	Scanning freq.		Dot clock freq. (MHz)	4K division	Format	Color format	Sampling
		H (KHz)	V (Hz)					
4096 x 2160/25p	4096 x 2160	56.3	25.0	297.0	SQ	HD-SDI	YPbPr	4 : 2 : 2 10bit
	4096 x 2160	56.3	25.0	297.0	SQ	3G-SDI Level-A	YPbPr	4 : 2 : 2 12bit
	4096 x 2160	56.3	25.0	297.0	IL	3G-SDI Level-A	YPbPr	4 : 2 : 2 12bit
	4096 x 2160	56.3	25.0	297.0	SQ	3G-SDI Level-B	YPbPr	4 : 2 : 2 12bit
	4096 x 2160	56.3	25.0	297.0	IL	3G-SDI Level-B	YPbPr	4 : 2 : 2 12bit
	4096 x 2160	56.3	25.0	297.0	SQ	3G-SDI Level-A	YPbPr	4 : 4 : 4 10bit
	4096 x 2160	56.3	25.0	297.0	IL	3G-SDI Level-A	YPbPr	4 : 4 : 4 10bit
	4096 x 2160	56.3	25.0	297.0	SQ	3G-SDI Level-B	YPbPr	4 : 4 : 4 10bit
	4096 x 2160	56.3	25.0	297.0	IL	3G-SDI Level-B	YPbPr	4 : 4 : 4 10bit
	4096 x 2160	56.3	25.0	297.0	SQ	3G-SDI Level-A	YPbPr	4 : 4 : 4 12bit
	4096 x 2160	56.3	25.0	297.0	IL	3G-SDI Level-A	YPbPr	4 : 4 : 4 12bit
	4096 x 2160	56.3	25.0	297.0	SQ	3G-SDI Level-B	YPbPr	4 : 4 : 4 12bit
	4096 x 2160	56.3	25.0	297.0	IL	3G-SDI Level-B	YPbPr	4 : 4 : 4 12bit
	4096 x 2160	56.3	25.0	297.0	SQ	3G-SDI Level-A	RGB	4 : 4 : 4 10bit
	4096 x 2160	56.3	25.0	297.0	IL	3G-SDI Level-A	RGB	4 : 4 : 4 10bit
	4096 x 2160	56.3	25.0	297.0	SQ	3G-SDI Level-B	RGB	4 : 4 : 4 10bit
	4096 x 2160	56.3	25.0	297.0	IL	3G-SDI Level-B	RGB	4 : 4 : 4 10bit
	4096 x 2160	56.3	25.0	297.0	SQ	3G-SDI Level-A	RGB	4 : 4 : 4 12bit
	4096 x 2160	56.3	25.0	297.0	IL	3G-SDI Level-A	RGB	4 : 4 : 4 12bit
	4096 x 2160/30p	4096 x 2160	67.5	30.0*1	297.0	SQ	HD-SDI	YPbPr
4096 x 2160		67.5	30.0*1	297.0	SQ	3G-SDI Level-A	YPbPr	4 : 2 : 2 12bit
4096 x 2160		67.5	30.0*1	297.0	IL	3G-SDI Level-A	YPbPr	4 : 2 : 2 12bit
4096 x 2160		67.5	30.0*1	297.0	SQ	3G-SDI Level-B	YPbPr	4 : 2 : 2 12bit
4096 x 2160		67.5	30.0*1	297.0	IL	3G-SDI Level-B	YPbPr	4 : 2 : 2 12bit
4096 x 2160		67.5	30.0*1	297.0	SQ	3G-SDI Level-A	YPbPr	4 : 4 : 4 10bit
4096 x 2160		67.5	30.0*1	297.0	IL	3G-SDI Level-A	YPbPr	4 : 4 : 4 10bit
4096 x 2160		67.5	30.0*1	297.0	SQ	3G-SDI Level-B	YPbPr	4 : 4 : 4 10bit
4096 x 2160		67.5	30.0*1	297.0	IL	3G-SDI Level-B	YPbPr	4 : 4 : 4 10bit
4096 x 2160		67.5	30.0*1	297.0	SQ	3G-SDI Level-A	YPbPr	4 : 4 : 4 12bit
4096 x 2160		67.5	30.0*1	297.0	IL	3G-SDI Level-A	YPbPr	4 : 4 : 4 12bit
4096 x 2160		67.5	30.0*1	297.0	SQ	3G-SDI Level-B	YPbPr	4 : 4 : 4 12bit
4096 x 2160		67.5	30.0*1	297.0	IL	3G-SDI Level-B	YPbPr	4 : 4 : 4 12bit
4096 x 2160		67.5	30.0*1	297.0	SQ	3G-SDI Level-A	RGB	4 : 4 : 4 10bit
4096 x 2160		67.5	30.0*1	297.0	IL	3G-SDI Level-A	RGB	4 : 4 : 4 10bit
4096 x 2160		67.5	30.0*1	297.0	SQ	3G-SDI Level-B	RGB	4 : 4 : 4 10bit
4096 x 2160		67.5	30.0*1	297.0	IL	3G-SDI Level-B	RGB	4 : 4 : 4 10bit
4096 x 2160		67.5	30.0*1	297.0	SQ	3G-SDI Level-A	RGB	4 : 4 : 4 12bit
4096 x 2160		67.5	30.0*1	297.0	IL	3G-SDI Level-A	RGB	4 : 4 : 4 12bit
4096 x 2160/50p		4096 x 2160	112.5	50.0	594.0	SQ	3G-SDI Level-A	YPbPr
	4096 x 2160	112.5	50.0	594.0	IL	3G-SDI Level-A	YPbPr	4 : 2 : 2 10bit
	4096 x 2160	112.5	50.0	594.0	SQ	3G-SDI Level-B	YPbPr	4 : 2 : 2 10bit
	4096 x 2160	112.5	50.0	594.0	IL	3G-SDI Level-B	YPbPr	4 : 2 : 2 10bit
4096 x 2160/60p	4096 x 2160	135.0	60.0*1	594.0	SQ	3G-SDI Level-A	YPbPr	4 : 2 : 2 10bit
	4096 x 2160	135.0	60.0*1	594.0	IL	3G-SDI Level-A	YPbPr	4 : 2 : 2 10bit
	4096 x 2160	135.0	60.0*1	594.0	SQ	3G-SDI Level-B	YPbPr	4 : 2 : 2 10bit
	4096 x 2160	135.0	60.0*1	594.0	IL	3G-SDI Level-B	YPbPr	4 : 2 : 2 10bit

*1 The signal with 1/1.001x vertical scanning frequency is also supported.

List of Simultaneous input compatible signals

The following table specifies the simultaneous input compatible video signals that the projector can project.

Signal name (SIGNAL FORMAT)	Resolution (Dots)	Scanning freq.		Dot clock freq. (MHz)	Simultaneous input compatible signal			
		H (KHz)	V (Hz)		HDMI*1	DVI-D*2	DisplayPort*3	SDI
1080/60p	1920 x 1080	67.5	60.0	148.5	✓	✓	✓	✓
1080/50p	1920 x 1080	56.3	50.0	148.5	✓	✓	✓	✓
3840 x 2160/50	3840 x 2160	112.5	50.0	594.0	✓*4	-	✓	✓*5
3840 x 2160/60	3840 x 2160	135.0	60.0	594.0	✓*4	-	✓	✓*5
4096 x 2160/50	4096 x 2160	112.5	50.0	594.0	✓*4	-	✓	✓*5
4096 x 2160/60	4096 x 2160	135.0	60.0	594.0	✓*4	-	✓	✓*5

*1 This is supported when an optional HDMI 2 input interface board (model number: ET-MDNHM10) is installed in both slots.

*2 This is supported when the optional Interface Board for DVI-D 2 input (Model No.: ET-MDNVD10) is installed in both slots.

*3 This is supported when the optional Interface Board for DisplayPort 2 input (Model No.: ET-MDNPD10) is installed in both slots.

*4 When performing the simultaneous input of the 4K image (resolution of 3840 x 2160 or 4096 x 2160) using the Interface Board for HDMI 2 input (Model No.: ET-MDNHM10), it is necessary for the firmware version of the Interface Board for HDMI 2 input to be 2.00 or later. If the version is earlier than 2.00, the simultaneous process is not performed even if corresponding signal is input. Consult your dealer regarding the version update to the latest firmware.

*5 This is supported when the Interface Board for 12G-SDI input (Model No.: ET-MDN12G10) is installed in both slots.

NOTE

- The geometric adjustment function cannot be used when the video signal in simultaneous format is input.