

PT-RQ50K Handle Removal Instruction Guide

Ver 1.0

Warning

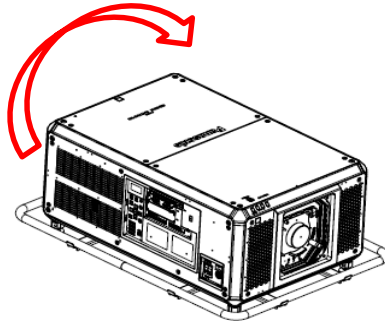
- We recommend you to ask a professional contractor for this work. Please consult your dealer.
- Do not remove any screw other than those specified.
- Please be sure to carry it with 4 or more people.
After removing the handle, please support the bottom of the main body when carrying.
Be careful not to slip your hand to lose balance or drop the main unit.
- We are not responsible for any defects or accidents caused by mistakes in the removal work, or accidents during transportation.

Necessary Tools

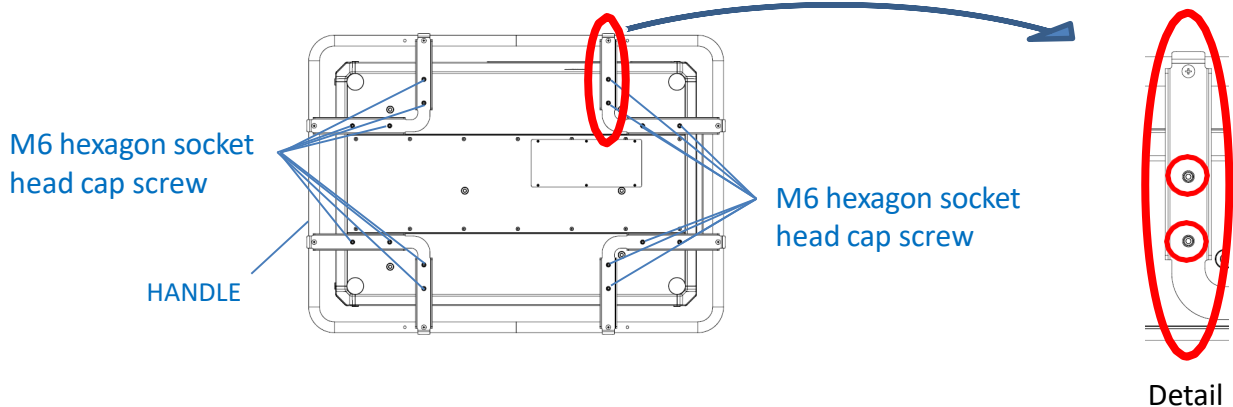
Allen wrench 5mm (M6 size)

Procedure

- 1) Rotate the main unit.
-Bottom side should be facing up



- 2) Remove the screw that secures the main unit and handle. Tools: Allen wrench 5mm (M6 size)
M6 hexagon socket head cap screw 16pieces.
*Store the RQ50K handle and M6 hexagon socket head cap screws.
When fixing once again, fix with tightening torque $2.7 \pm 0.2\text{Nm}$.
(SCREW: M6 hexagon socket head cap screw. Length:16mmSEMS.



- 3) Return to the original posture

