

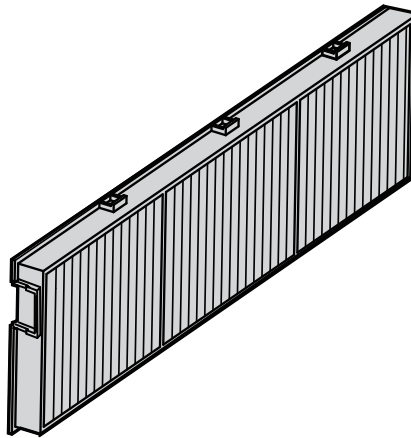
# Panasonic®

## Operating Instructions

Replacement Filter Unit Commercial Use

---

Model No. ET-RFV300



Thank you for purchasing this Panasonic product.

- Please read these operating instructions and the projector operating instructions carefully, and then use this product correctly.
- Please save this Operating Instructions for future use.

TQZJ583-2

## Attention

- Turn off the power and disconnect the power plug from the wall outlet before you replace the air filter unit.
- When attaching the air filter unit, make sure that the projector is stable, and work in an environment that is safe, even in the event of the air filter unit dropping.
- Do not put anything into the air vents. Doing so may result in malfunction of the projector.

## Illustrations in these operating instructions

- Illustrations contained in these operating instructions that show the projector may differ from the actual objects they depict.

# Replacing the air filter unit

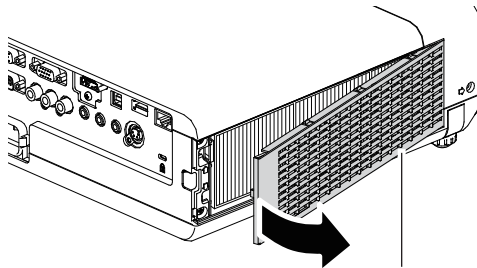
## Replacement procedure

### 1) Turn off the Power and then remove the AC power plug from the wall outlet.

- When the power is to be turned off, be absolutely sure to follow the procedure described in “Powering Off the Projector” in the operating instructions of the projector.

### 2) Remove the air filter cover.

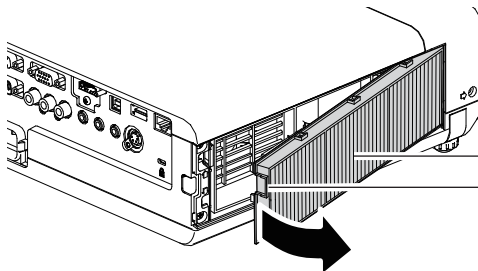
- Open the air filter cover in the direction of the arrow as the figure shows and remove it.



Air filter cover

### 3) Remove the air filter unit.

- Hold the tab of the air filter unit and pull out it in the direction of the arrow.
- After removing the air filter unit, remove foreign objects and dust from the air filter compartment and the projector's air intake port if there are any.

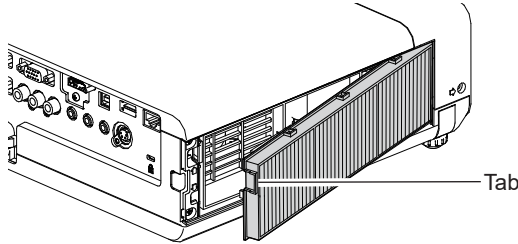


Air filter unit  
Tab

## Replacing the air filter unit (continued)

### 4) Attach the unused air filter unit (Replacement Filter Unit) to the projector.

- Hold the air filter unit that the tab is in left side in the figure, put the right side in the figure first, and press the tab side until make a click sound.
- Do not press any other part of the air filter unit except the frame during installation.



### 5) Attach the air filter cover.

- Perform Step 2) in the reverse order.
- Make sure that the air filter cover is closed tightly.

#### Attention

- Make sure that the air filter unit is properly attached before using the projector. If it is not attached, the projector will suck in dirt and dust causing a malfunction.
- After replacing the air filter, reset the filter counter. Otherwise, "FILTER COUNTER has reached the set time." will appear on screen.
- After unpacking the lamp unit, discard the packaging material properly.
- Do not disassemble the air filter unit.

## ■ Resetting the Filter Counter

Be sure to reset the Filter counter after replacing the air filter unit.

- 1) **Connect the power plug, press the power button on the control panel or the on the remote control.**
- 2) **Press the <MENU> button to display the main menu, then press ▲▼ to select [PROJECTOR SETUP].**
- 3) **Press the <ENTER> button, then press ▲▼ to select [FILTER COUNTER].**
- 4) **Press the <ENTER> button, then press ▲▼ to select [FILTER COUNTER RESET].**
- 5) **Press the <ENTER> button.**
  - [FILTER COUNTER RESET] confirmation is displayed.
- 6) **Press ◀▶ to select [OK], then press the <ENTER> button.**
  - The filter usage time is 0 after reset.

#### Note

- The frequency with which the air filter unit needs to be changed depends significantly on the environment where the projector is used.

## ■ Disposal

When discarding this product, please contact your local authorities or dealer and ask for the correct method of disposal.

---

# Panasonic Connect Co., Ltd.

Web Site : <https://panasonic.net/cns/projector/>