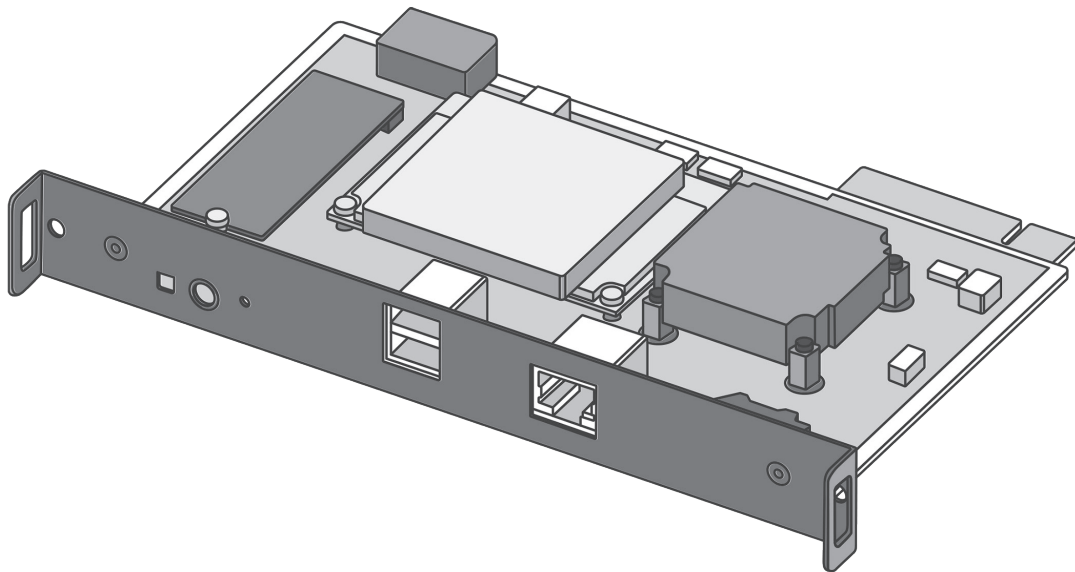

S P E C F I L E

Product Number : **ET-SBFMP10**

Product Name : Media Processor
Function board-type



Note

- Product appearance is tentative and subject to change.

Specifications

Main unit (Specifications subject to change without notice.)

Type	Function board-type ¹	
Terminals	LAN	RJ-45 x 1 for network connection 10Base-T/100Base-TX, 1000Base-T, NDI® compatible
	Audio OUT	3.5 mm stereo mini-jack
	USB	USB 3.0 (Type A) x 2
Video format	H.264 ² , 8-bit, 3840 x 2160 pixels, 60p, YPbPr 4:2:0, 300 Mbps / H.265 ³ , 8-bit, 4096 x 4096 pixels, 60p, YPbPr 4:2:0, 300 Mbps	
Max. video output resolution	3840 x 2160/60p	
Audio format	AAC-LC, 16-bit, stereo	
Storage	512 GB ⁴	
Operating system	Linux	
Maximum power consumption	(TBD)	
Dimensions	Width	Approx. 195 mm [7-3/4 in] (TBD)
	Height	Approx. 25 mm [63/64 in] (TBD)
	Depth	Approx. 123.2 mm [4-7/8 in] (TBD)
Weight	Approx. 0.23 kg (0.51 lbs) (TBD)	
Operating environment	Operating temperature	0-40 °C (32-104 °F)
	Operating humidity	10-80 % (no condensation)
Applicable projector	PT-RQ25K Series	
	PT-RZ14K	
	PT-REQ15, PT-REZ15 (available CY2024 Q2)	
	PT-REQ12 Series, PT-REZ12 Series	
	PT-RQ7 Series (available CY2024 Q3)	

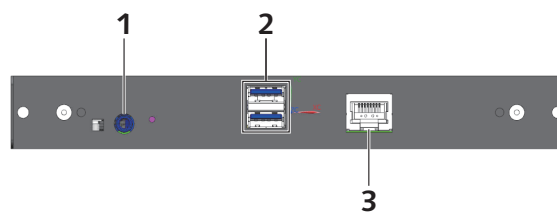
1 Compatible with Intel® SDM standard SLOT

2 Compatible profiles: Baseline, Main, High (4:2:0)

3 Compatible profiles: Main (4:2:0)

4 Approximately 30 GB of the total storage space is allocated for system usage and is unavailable to the user.

Terminals



1	AUDIO OUT
2	USB
3	LAN

Dimensions

unit : mm [inch]

NOTE: This illustration is not drawn to scale.

